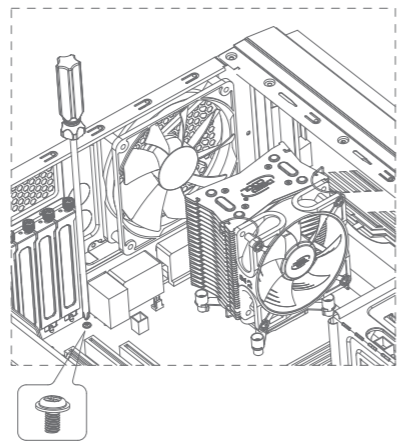


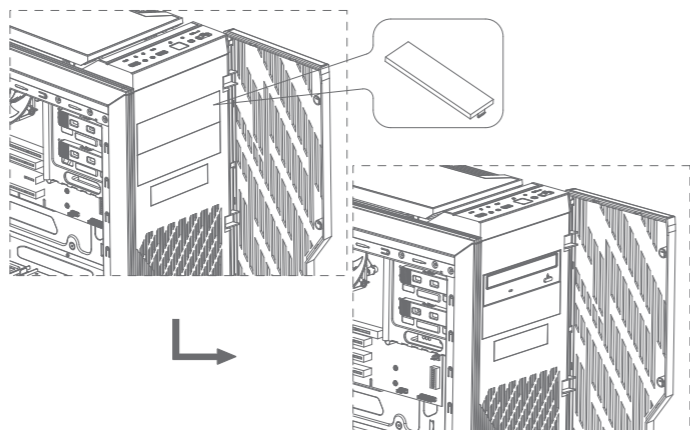
Enjoy Your Cool Life!

1. 主板的安装

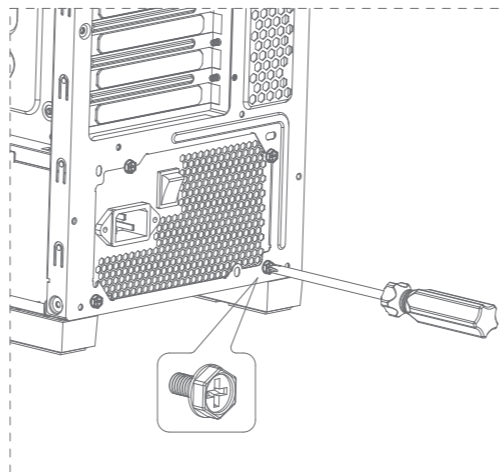
主板兼容: ATX/MICRO-ATX / MINI-ITX



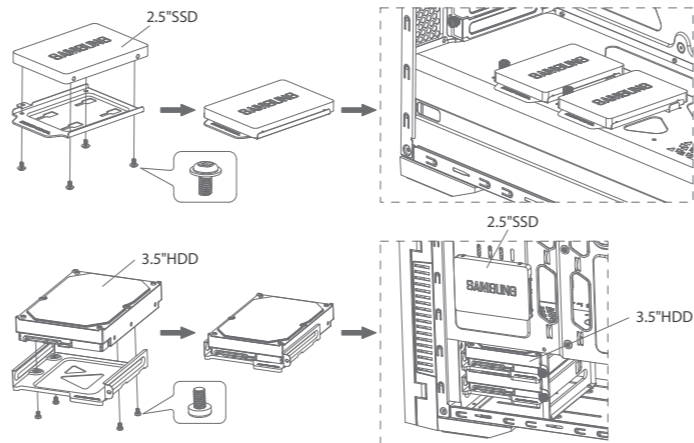
2. 安装光驱



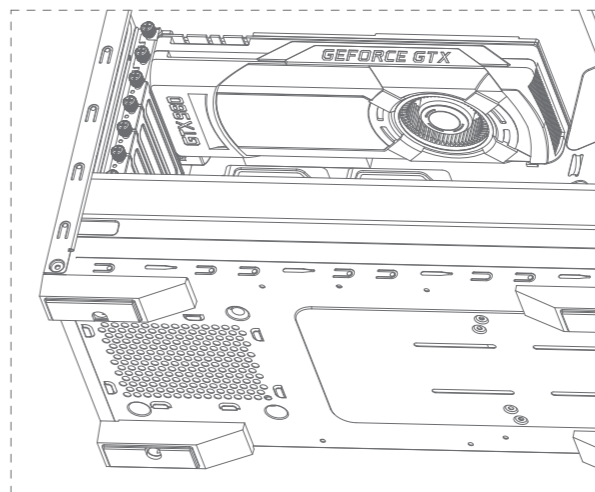
3. 安装电源



4. 安装硬盘



5. 安装扩展卡



7. 线材安装

	Panel Connector	High Definition Audio (Azalia)	USB 2.0 Connector	USB 3.0 Connector
Motherboard	IDELED+ □ PLED+ IDELED- □ PLED- Ground □ PWR Reset □ GND NC □ No Pin	MIC2_L □ AGND MIC2_R □ PRESENSE# HP_R □ MIC2_JD Jack_Sense □ No Pin HP_L □ HP_HD	USB+5V □ USB+5V USB_P- □ USB_P- USB_P+ □ USB_P+ GND □ GND No Pin □ NC	IntA_P2_D+ □ ID IntA_P2_D- □ IntA_P1_D+ GND □ GND IntA_P2_SSTX+ □ IntA_P1_SSTX+ IntA_P2_SSTX- □ IntA_P1_SSTX- GND □ GND IntA_P2_SSRX+ □ IntA_P1_SSRX+ IntA_P2_SSRX- □ IntA_P1_SSRX- VBUS □ VBUS
	Panel Connector POWER SW □ PWR GND □ GND RESET SW □ Ground H.D.D LED □ IDELED+ □ IDELED- POW LED- □ PLED- POW LED+ □ PLED+	HD Audio Connector	USB 2.0 Connector	USB 3.0 Connector
Cable				

6. I/O、外部控制

