

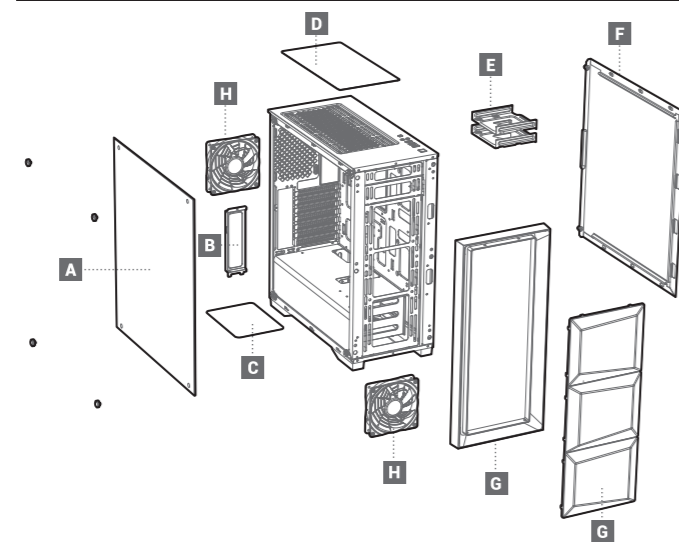
MATREXX 50 MESH 4FS

Mid-Tower Case



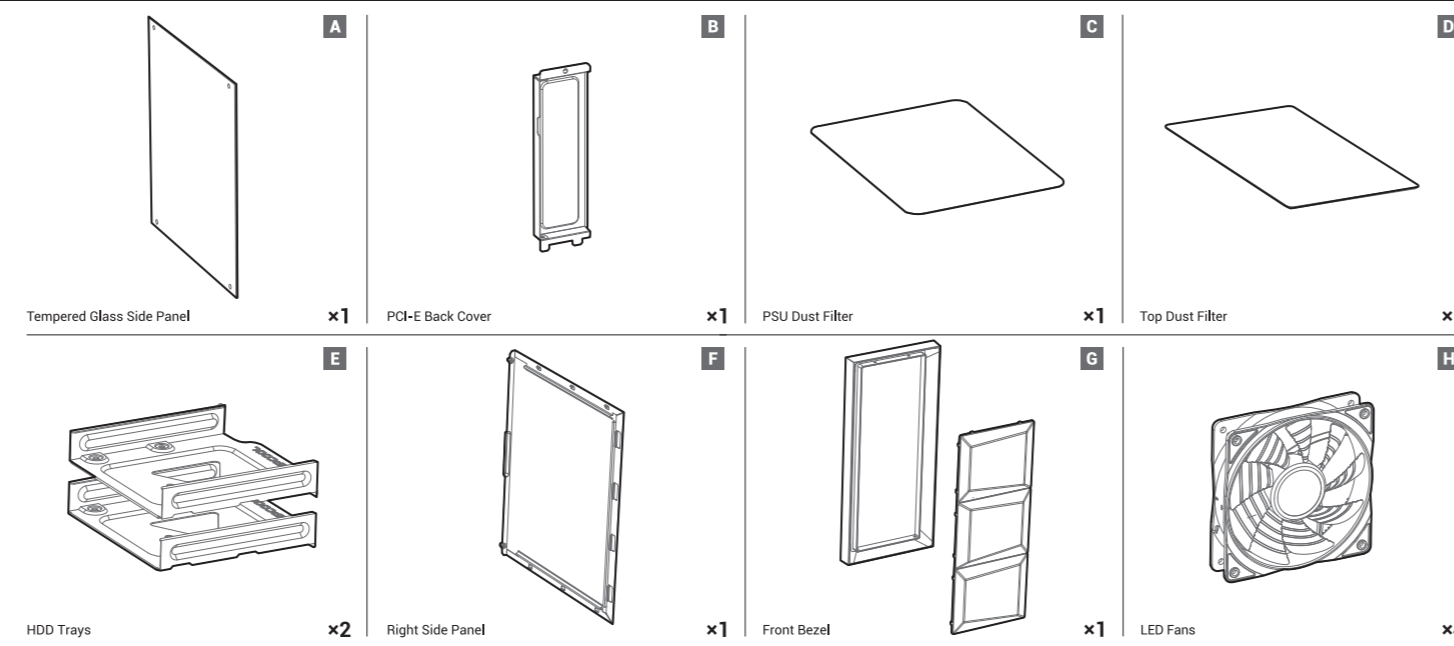
www.deepcool.com

Case Features

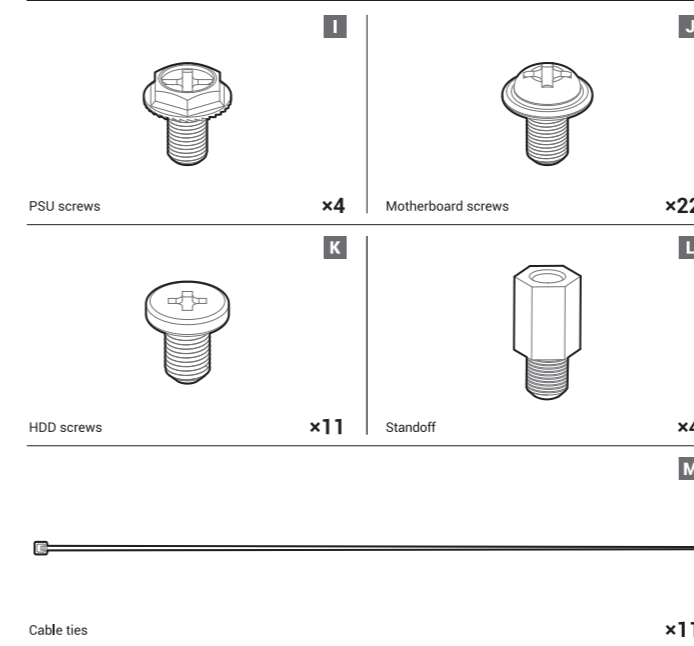


Case Specifications

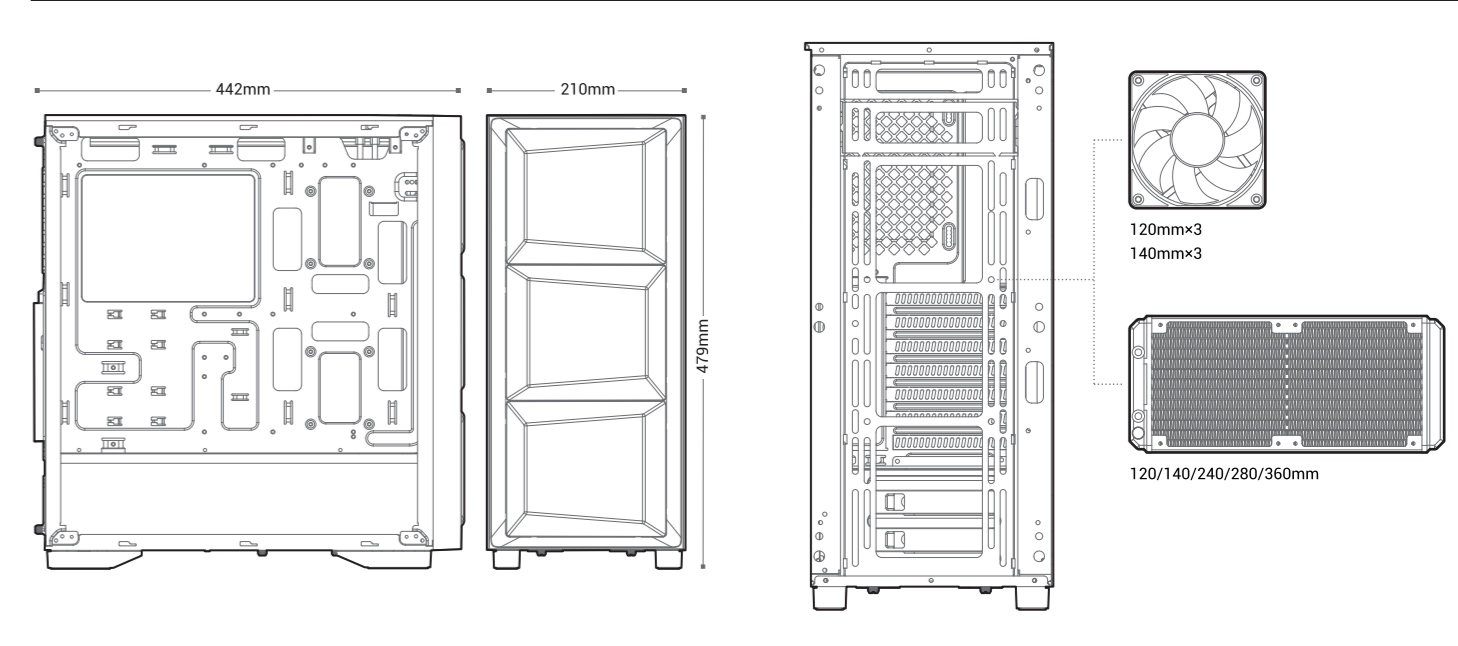
Length: 442mm Maximum GPU length: 370mm Radiator compatibility: Front: 120/140/240/280/360mm Fan locations: Front: 3x120/3x140mm
 Width: 210mm Maximum PSU length: 170mm Top: 120/140/240mm Rear: 1x120mm
 Height: 479mm Maximum CPU cooler height: 160mm



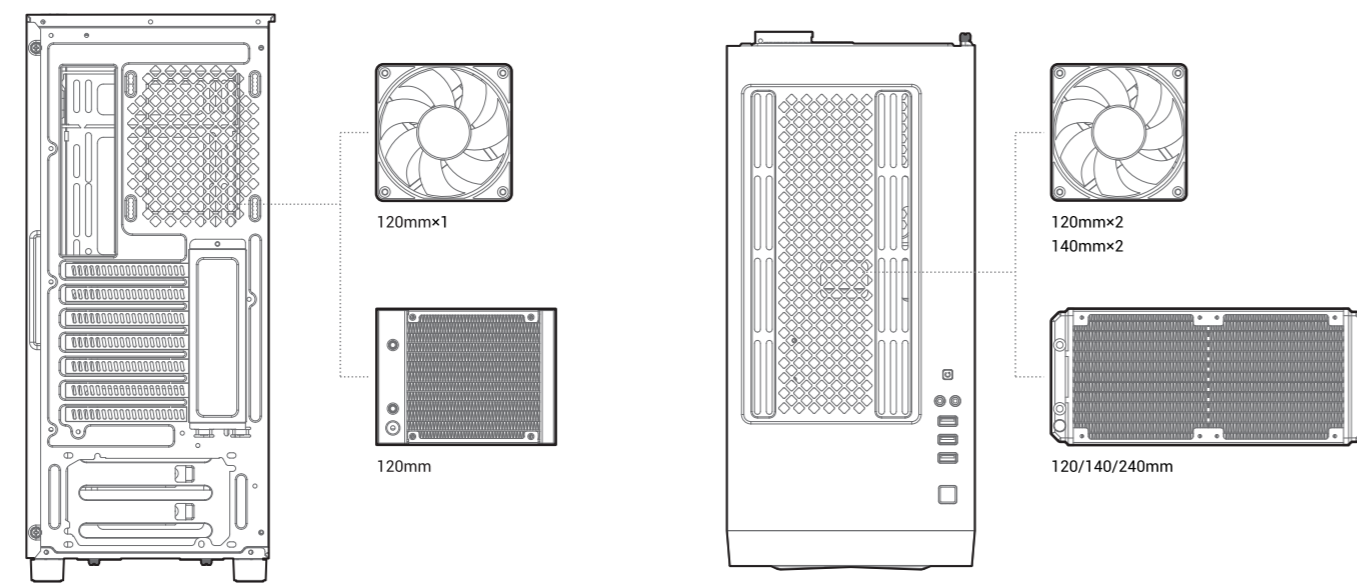
Accessory Kit Contents



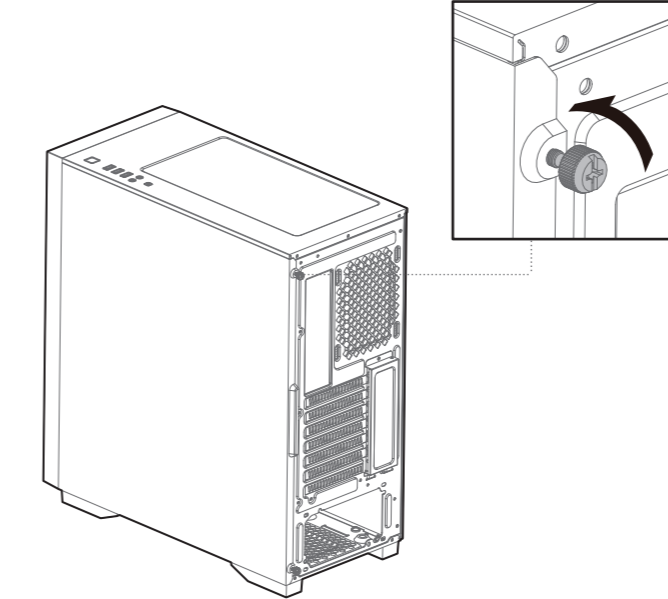
Specifications



Removing the Tempered Glass Side Panel



Removing the Metal Side Panel



Removing the Front Panel

