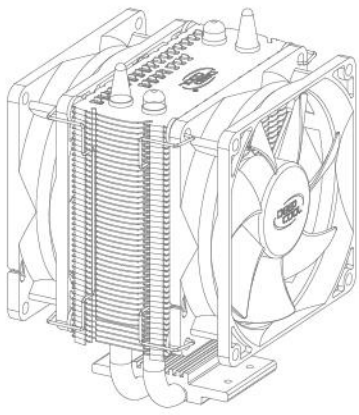




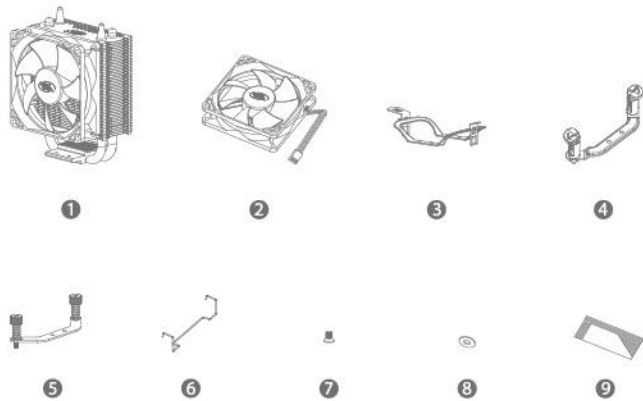
ICE BLADE 200M

USER GUIDE



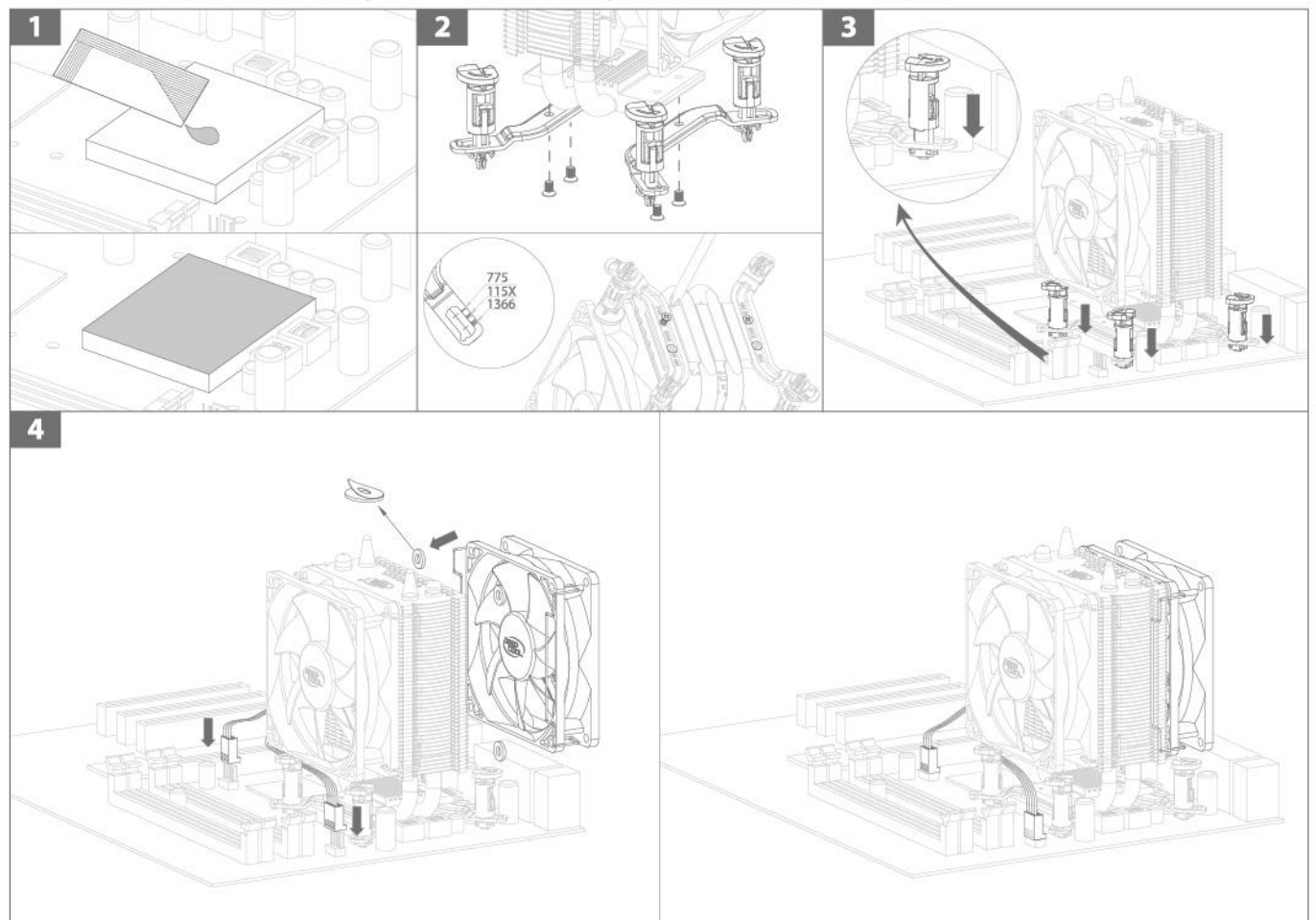
PRODUCT SCHEMATIC DRAWING

COMPONENTS LIST

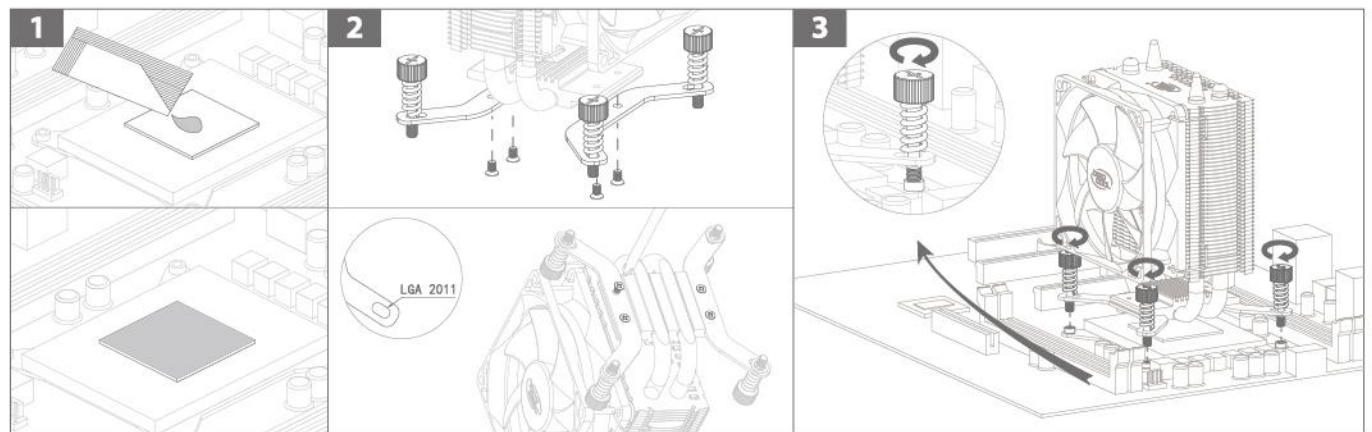


- 1 Heatsink x1
- 2 Fan x1
- 3 AMD Metal Clip x1
- 4 INTEL Push-pin Clip x2
- 5 LGA2011 Bracket(Intel) x2
- 6 Wire Clip x2
- 7 Screw x4
- 8 De-vibration Buffer x4
- 9 Thermal Grease x1

INTEL LGA1366/ LGA115X(1156/ 1155/1150)/ LGA775 INSTALLATION

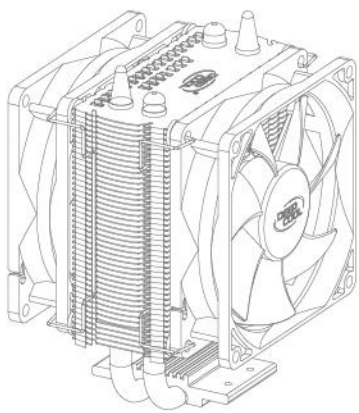


INTEL LGA2011 INSTALLATION

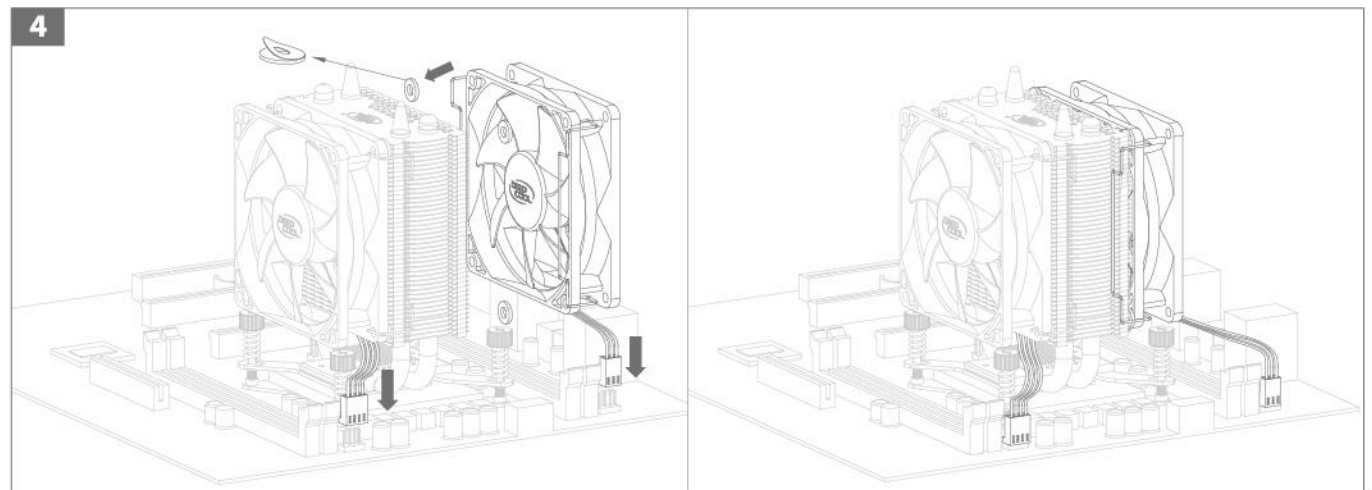


ICE BLADE 200M

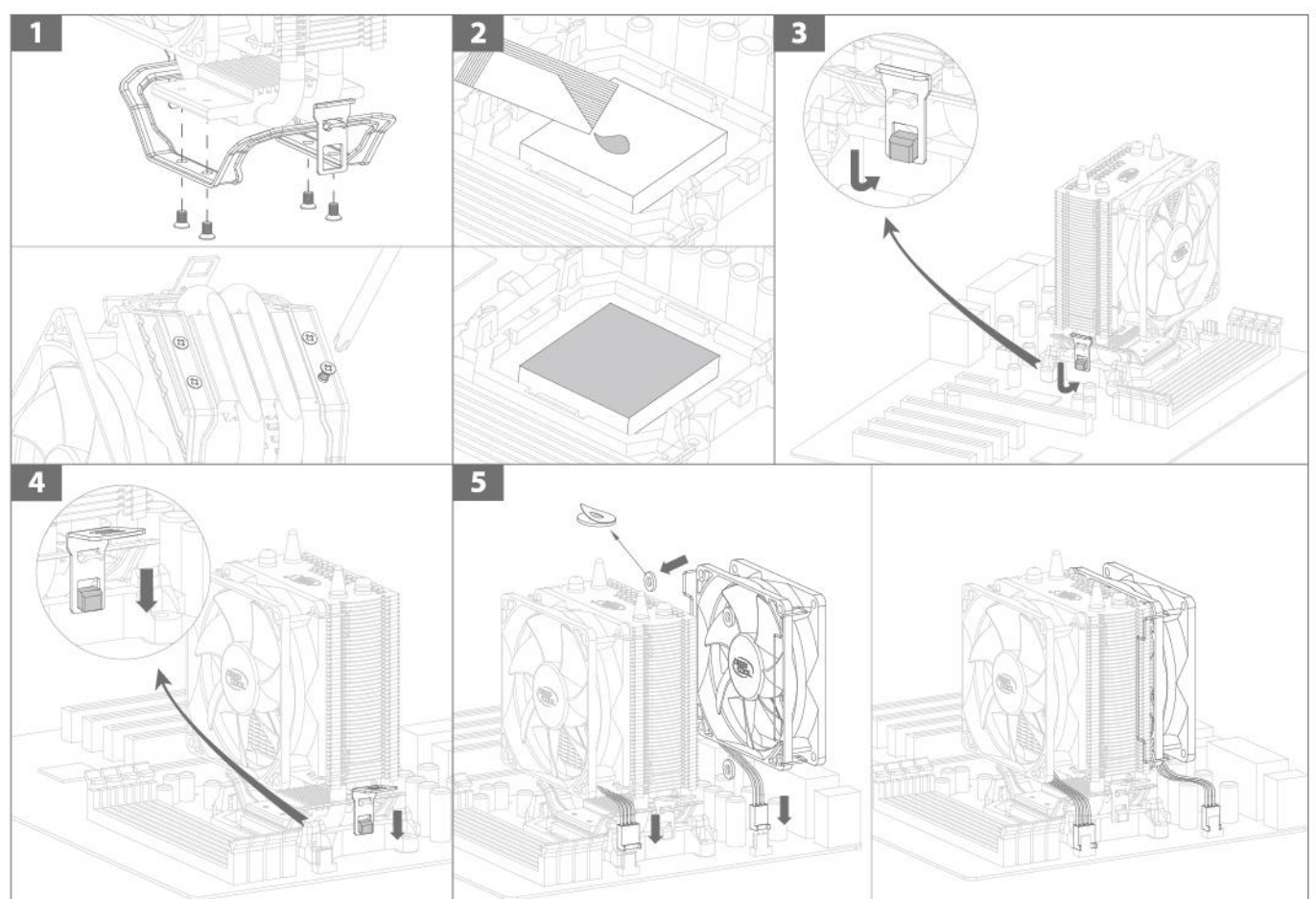
USER GUIDE



PRODUCT SCHEMATIC DRAWING



AMD FM2/FM1/AM3+/AM3/AM2+/AM2/940/939/754 INSTALLATION



- EN For further information, please consult www.deepcoolglobal.com
- DE Für weitere Informationen, besuchen Sie bitte unsere Webseite: www.deepcoolglobal.com
- IT Per ulteriori informazioni, si prega di consultare: www.deepcoolglobal.com
- FR Pour plus d'informations, s'il vous plait consulter le site: www.deepcoolglobal.com
- ES Para más información, por favor consulte nuestra página web: www.deepcoolglobal.com
- PT Para mais informações, por favor consulte: www.deepcoolglobal.com
- PL W celu uzyskania dalszych informacji, proszę kliknąć: www.deepcoolglobal.com
- CS Pro další informace se prosím obraťte: www.deepcoolglobal.com
- RU Для дополнительной информации, пожалуйста, посетите www.deepcoolglobal.com
- KK Қосымша ақпарат үшін www.deepcoolglobal.com жүгініңіз
- TR Daha fazla bilgi için, lütfen: www.deepcoolglobal.com
- JA 製品に関する最新の情報を右記サイトで公開しております www.deepcoolglobal.com
- KO 보다 자세한 내용은 아래의 홈페이지를 참조하세요 www.deepcoolglobal.com
- ZH 如欲取得更多資料, 請瀏覽網站 www.deepcool.com.cn
- ZH 如需要更多信息, 請瀏覽網站 www.deepcool.com.cn