



INSTALLATION GUIDE

安装说明书

This installation guide is applicable for FIEND SHARK series.
此说明书适用于九州风神蓝鲨系列产品。

CAUTION:

1. All specifications and pictures in this installation guide are for reference only. Please refer to your product for acutality.
2. Under no condition shall Deepcool be liable for any indirect, incidental or consequential damages arising from any defect or error in this manual or product.
3. Please ask for professional help if you are not sure of safe installation.
4. Installation manual in other languages is available on our website: www.deepcoolglobal.com.

Appearance Patent NO. : 201030270353.6
Brands and designs are trademarks from Beijing Deepcool Industries Co., Ltd.
All rights reserved.

Beijing Deepcool Industries Co., Ltd.
MADE IN CHINA

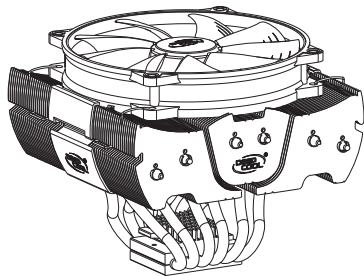
警告声明:

1. 本公司有权在未事先通知的情况下对本说明书进行修改，以便改进产品的稳定性、设计及功能。
2. 本说明书之描述内容不代表本公司之承诺，对于任何因安装或使用不当而造成直接、间接、有意、无意的损坏及隐患，本公司概不负责。
3. 在无法掌握操作方法前需请求专业人士帮助，严禁在未掌握操作要领的前提下使用本产品。
4. 若需对本公司产品了解更多信息，请浏览我们的网页：www.deepcoolglobal.com

产品外观专利：201030270353.6
九州风神公司2012版权所有。

手册中提及的其他商标及商标号是指拥有该商标及名称的机构或其产品。

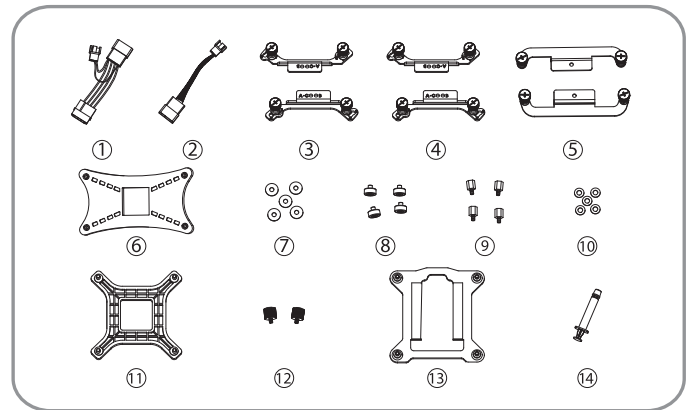
出品：北京市九州风神科贸有限责任公司
地址：北京市海淀区上地信息路2号2号楼12层
中国制造



FIEND SHARK
蓝鲨

PRODUCT SCHEMATIC DRAWING
产品示意图

COMPONENTS LIST 零部件说明



- | | | |
|-------------------------------|----------------|------|
| 1) Low-noise Adapter(7V) | 7V减速线 | 1PC |
| 2) 4-pin PSU Adapter | 4Pin电源转接线 | 1PC |
| 3) Retention Bracket(LGA2011) | LGA2011扣具 | 2PCS |
| 4) Retention Bracket(Intel) | Intel扣具 | 2PCS |
| 5) Retention Bracket(AMD) | AMD扣具 | 2PCS |
| 6) AMD Back Plate | AMD背板 | 1PC |
| 7) Insulating Washer | 绝缘垫片 | 5PCS |
| 8) LGA1366 Rivet Nut | 1366背铆钉 | 4PCS |
| 9) Hex-head Nut | 六角螺母 | 4PCS |
| 10) Washer | 垫片 | 5PCS |
| 11) LGA775 Back Plate | 775背板 | 1PC |
| 12) Thumb Screw | 手拧螺丝 | 2PCS |
| 13) LGA1155/1156 Back Plate | LGA1155/1156背板 | 1PC |
| 14) Thermal Grease | 导热膏 | 1PC |

Place the LGA775 back plate on the back of the motherboard.
将LGA775背板对准主板孔位放置。

Peel off the film of the insulating cushion, position the LGA1155/1156 Back Plate in line with the mounting holes of motherboard, then stick it tightly onto the motherboard.
撕开1155/1156背板的绝缘胶垫的胶纸, 将背铆钉对准主板孔位放置, 压紧。

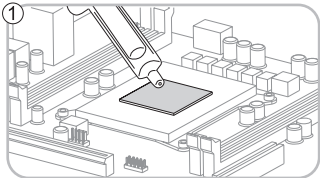
Peel off the film of insulating washer from one side and stick it onto the LGA1366 rivet nut.
撕开1366背铆钉绝缘胶垫一面胶纸, 贴在背铆钉上面。

钉对准主板孔位放置, 压紧。

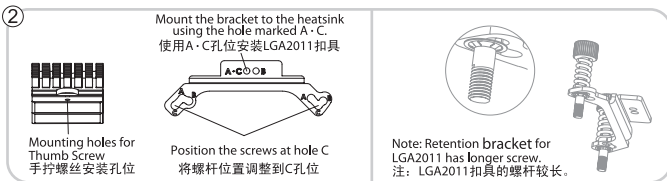
手拧螺丝安装孔位

手拧螺丝安装孔位

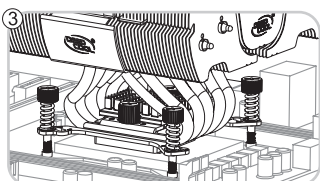
INTEL LGA2011 Installation 安装步骤



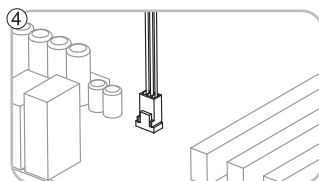
Evenly apply a thin layer of thermal grease onto the processor.
将导热膏均匀涂在CPU表面。



Secure the bracket to heatsink base using the hole C; and position the bracket screws on the hole C too.
如图所示, 将LGA2011扣具上的螺杆推移至安装架构C孔位, 将LGA2011扣具指定的安装孔位与散热片组上的安装孔位对齐放置, 用手拧螺丝拧紧。



Put the heatsink onto the processor, adjust and align the spring screws of the Retention bracket(LGA2011) with the motherboard mounting holes, and fasten the screws.
将散热片组放在CPU上, 注意底部与CPU表面完全接触, 根据需要微调LGA2011扣具上的螺杆位置, 使其与主板上的螺丝孔对齐, 将螺杆锁入螺丝孔, 用手拧紧。



Finish the installation by connecting the fan cable to the motherboard.
将风扇插头插在主板相应位置, 确认无误后完成安装。