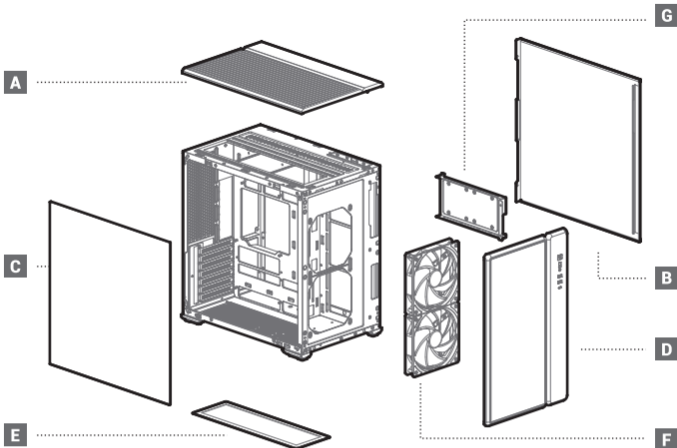


CG590 MESH 2F Series

Mid-Tower ATX case

Case Features



Case Specifications

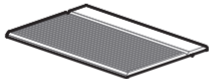
Length: 450mm
Width: 285mm
Height: 458mm

Fan locations:
Front: 2x160mm
Top: 3x120mm/2x140mm

Maximum GPU length: 410mm
Maximum PSU length: 210mm
Maximum CPU cooler height: 160mm

Side: 3x120mm
Rear: 2x120mm
Bottom: 3x120mm/3.5 HDD+2x120mm/2.5 SSD+2x120mm

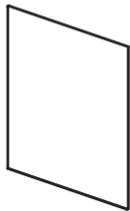
Radiator compatibility:
Front: NA
Top: 120/140/240/280/360mm
Side: 120/240/360mm
Bottom: 120/240/360mm
Rear: 120mm

A

Top Module

x1**B**

Right Side Panel

x1**C**

Tempered Glass Side Panel

x1**D**

Front Panel

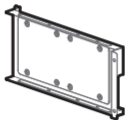
x1

E

Bottom Dust Filter

x1**F**

Forward-Curved Blade Fan

x2**G**

Hard Disk Bracket

x1

Accessory Kit Contents

H

PSU Screws

x6**I**

Motherboard Screws

x18**J**

HDD Screws

x9**K**

Stand Off

x3**L**

Sleeve Screws

x1**M**

Cable Ties

x5

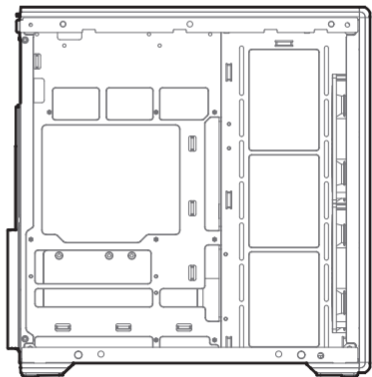
Specifications

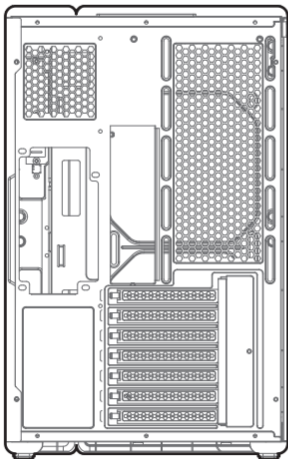
285mm

450mm

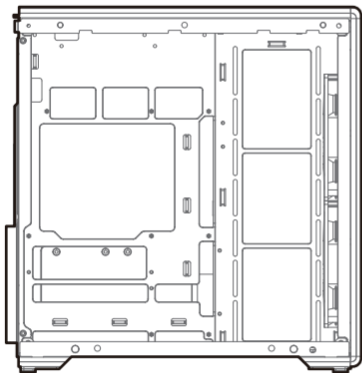


458mm





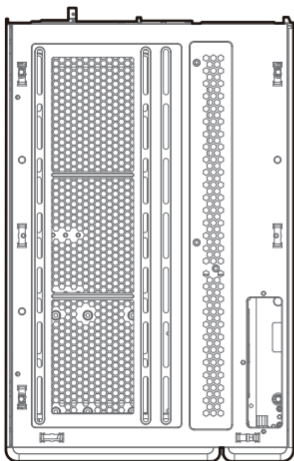
120mm×2



120mm×3



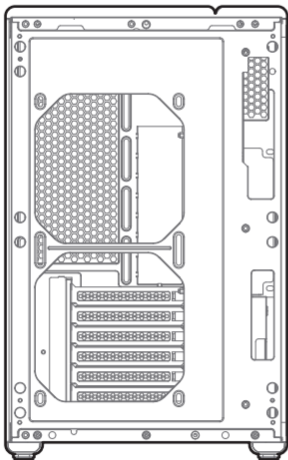
120/240/360mm



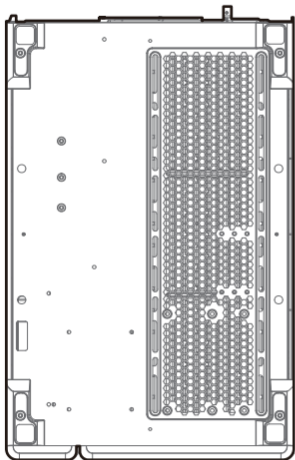
120mm×3
140mm×2



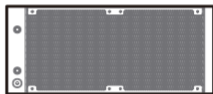
120/140/240/280/360mm



160mmx2

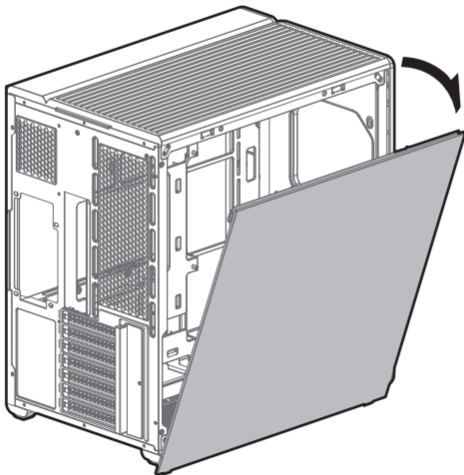


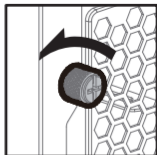
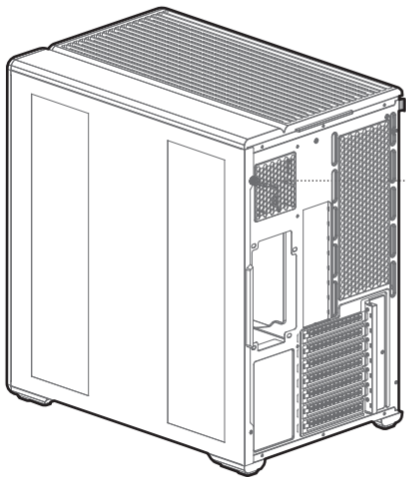
120mm×3
3.5 HDD+120mm×2
2.5 SSD+120mm×2

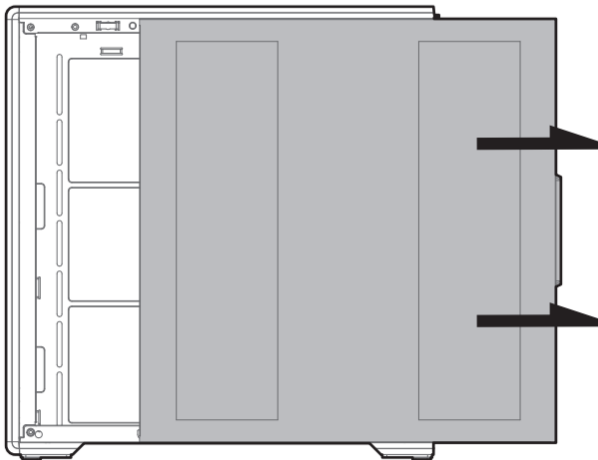


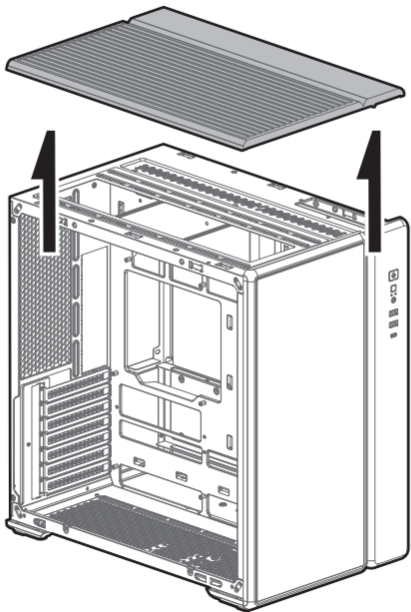
120/240/360mm

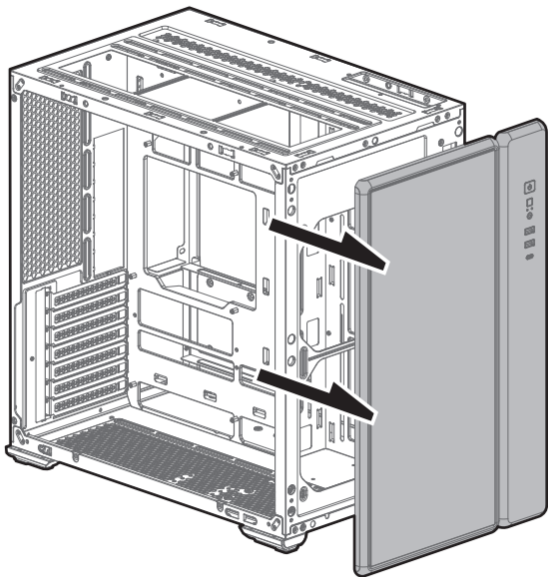
Removing the Side Panel



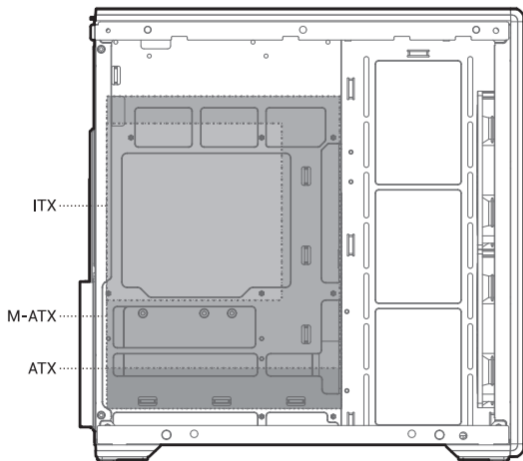






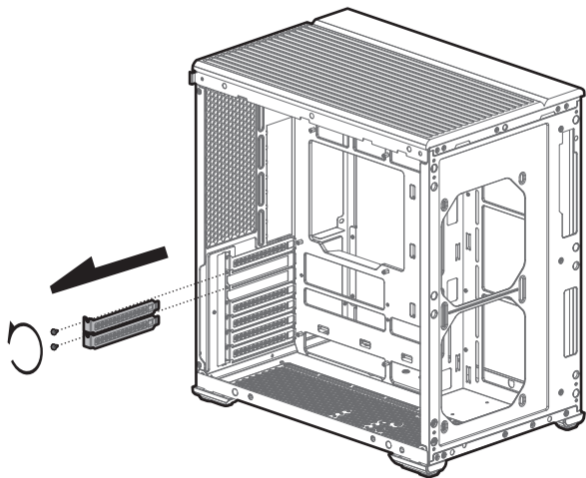


Installing the Motherboard

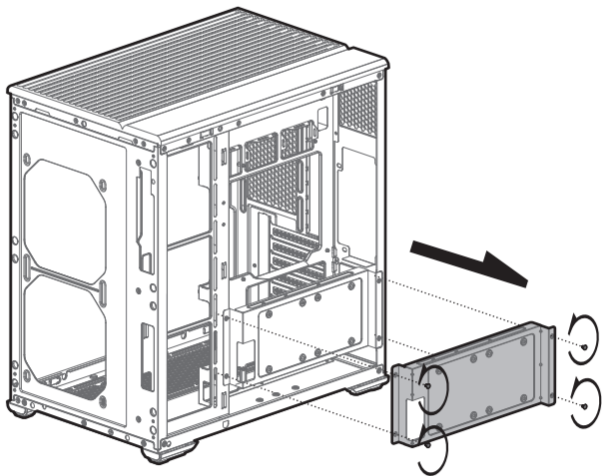


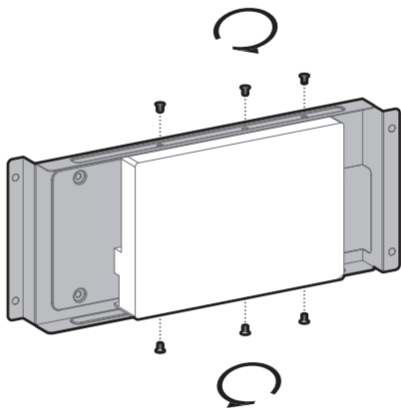
Rear Connector Motherboards: ATX / M-ATX

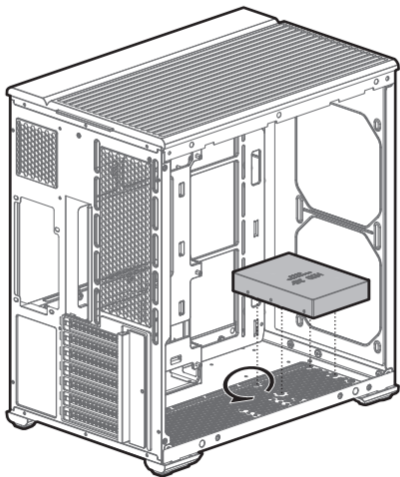
Installing the GPU



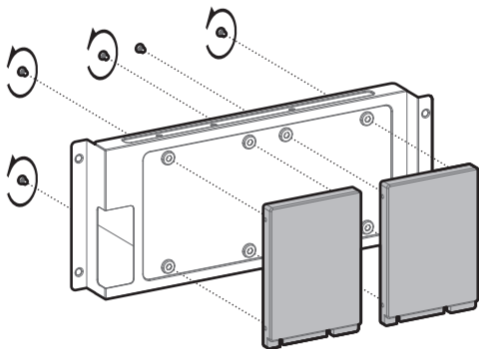
Installing HDDs

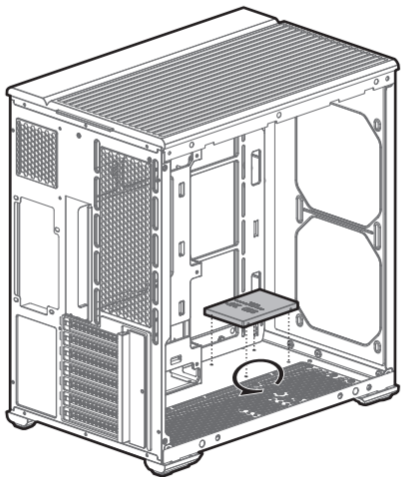


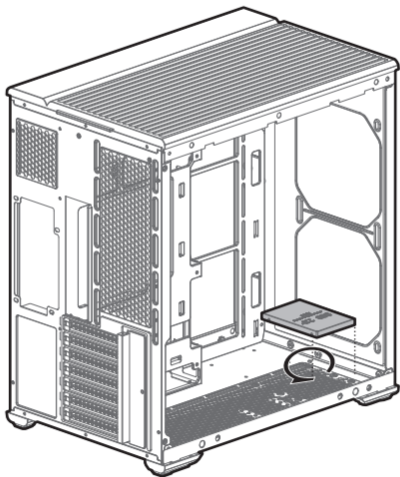




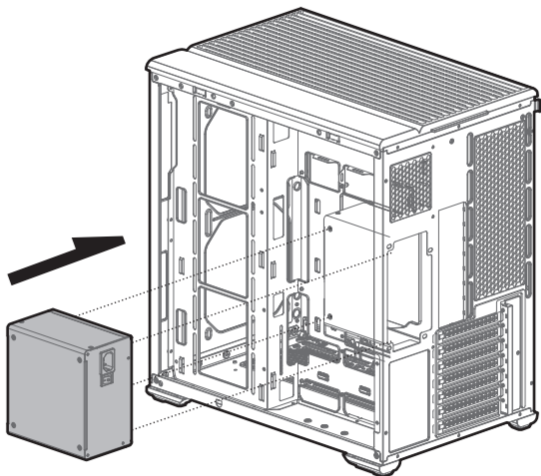
Installing SSDs



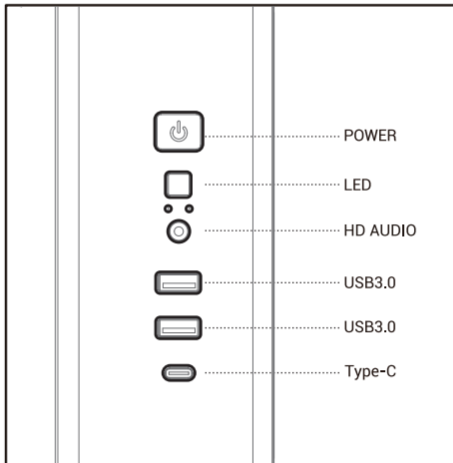




Installing the Power Supply

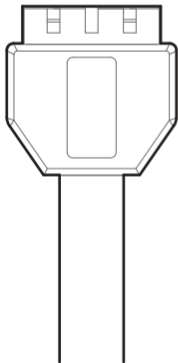


I/O Panel Introduction

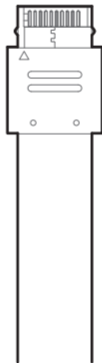


Installing the Front I/O Connectors

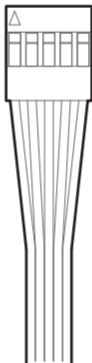
USB3.0



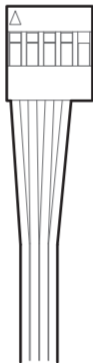
TYPE-C



HD AUDIO



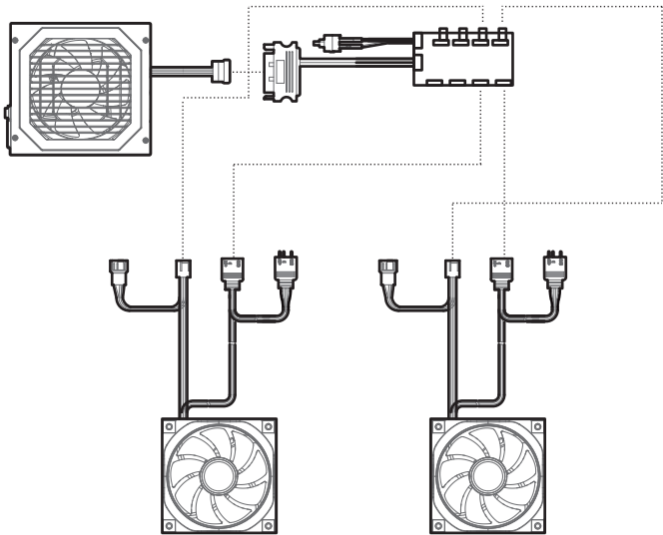
F_PANEL



LED/SW

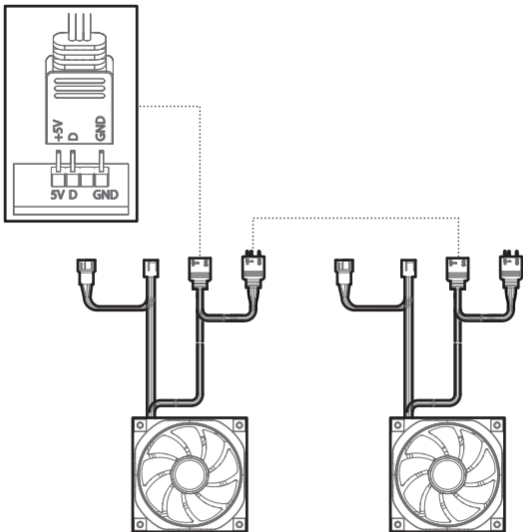


Manual ARGB&Fan Wiring



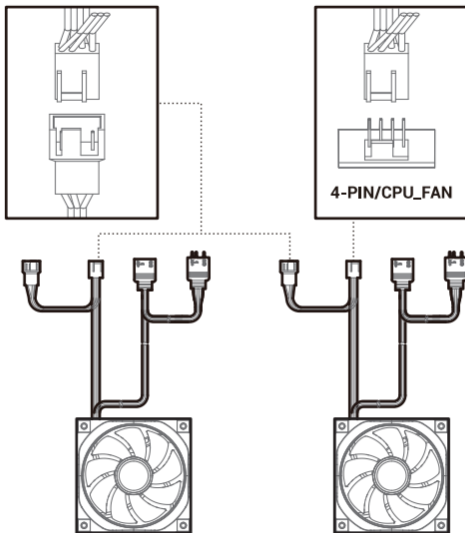
For reference only, please refer to the real product.

Motherboard RGB Synchronization



For reference only, please refer to the real product.

Fan Power Line Wiring



For reference only, please refer to the real product.

部件名称	有毒有害物质或元素					
	铅 (Pb)	汞 (Hg)	镉 (Cd)	六价铬 (Cr+6)	多溴联苯 (PBB)	多溴二苯醚 (PBDE)
机壳	○	○	○	○	○	○
塑胶	○	○	○	○	○	○
螺丝	○	○	○	○	○	○
集成电路	○	○	○	○	○	○
零件包	○	○	○	○	○	○



本表格依据SJ/T 11364的规定编制。

环保使用期限标识表示产品在正常工作温度和湿度等条件下的环保使用年限为10年。

○：表示该有害物质在该部件所有均质材料中的含量均在GB/T 26572规定的限量要求以下。

×：表示该有害物质至少在该部件的某一均质材料中的含量超出GB/T 26572规定的限量要求，且因技术发展水平限制而无成熟方案替代，均符合欧盟RoHS法规环保指令。



