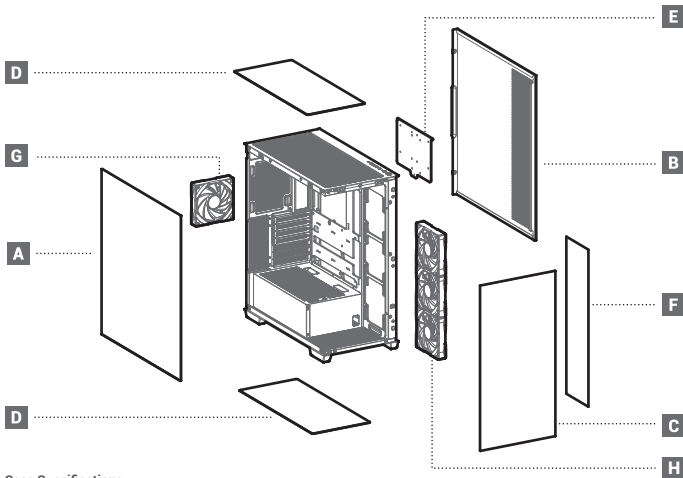


CG580 4F Series

Panoramic Glass Panels Single Chamber ATX Case

Case Features



Case Specifications

Length:437mm Maximum GPU length:410mm
Width:235mm Maximum PSU length:210mm
Height:501mm Maximum CPU Cooler length:176mm

Radiator compatibility:
Front: NA
Top: 120/140/240/280/360mm
Side: 120/240/360mm
Rear: 120/140mm

Fan locations:
Front: NA
Top: 3×120 / 2×140mm
Side: 3×120mm
Rear: 1×120mm / 1×140mm
Bottom: 1×120mm(3.5 HDD/
120FAN: Choose one of two)
PSU Shrouded: 2×120mm

**A**

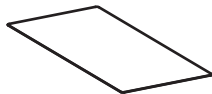
Tempered Glass Side Panel

x1**B**

Right Side Panel

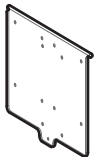
x1**C**

Tempered Glass Front Panel

x1**D**

Top&Bottom Dust Filter

x2

E

Hard Disk Bracket

x1**F**

Side Panel Dust Filter

x1**G**

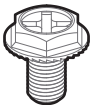
120mm PWM ARGB Fan

x1**H**

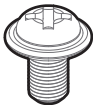
120mm PWM ARGB Reverse Blade Fans

x3

Accessory Kit Contents

I

PSU Screws

x4**J**

Motherboard Screws

x17**K**

HDD Screws

x8**L**

Stand Off

x3**M**

Sleeve Screws

x1**N**

Sunk Screws

x4**O**

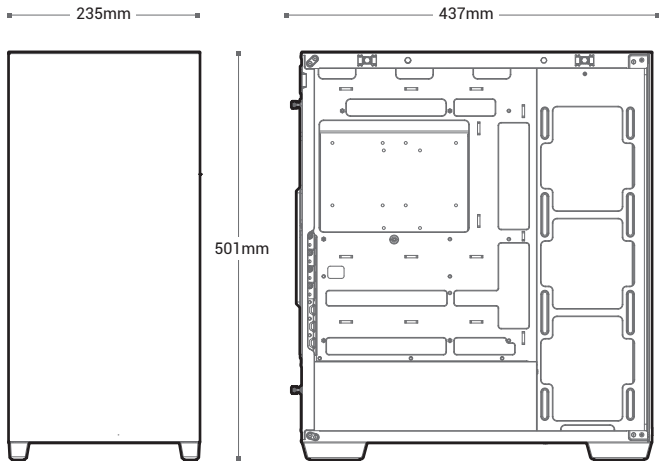
PCIe Rear Panel

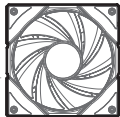
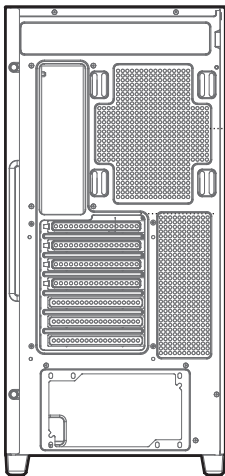
x1**P**

Cable Ties

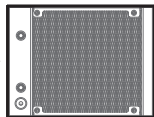
x10

Specifications

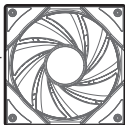
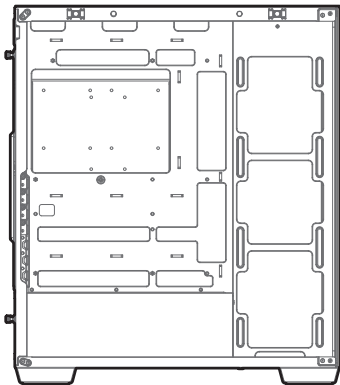




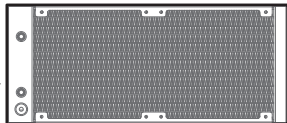
120mm×1
140mm×1



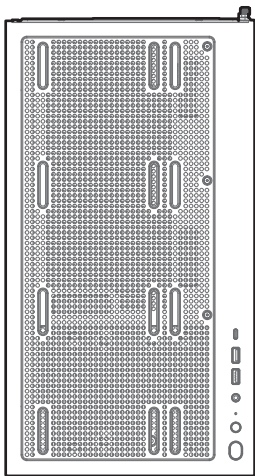
120/140mm



120mm×3

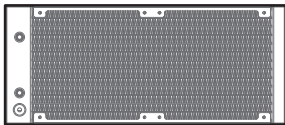


120/240/360mm



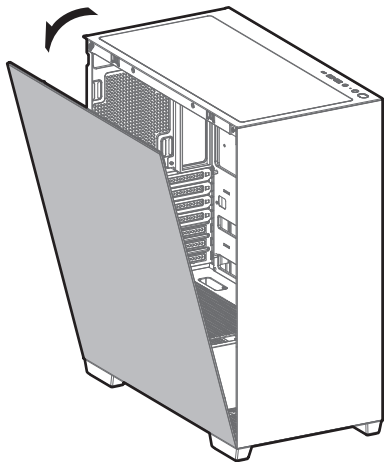
120mm×3

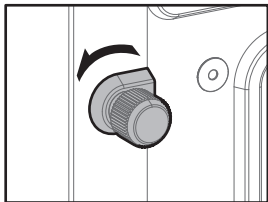
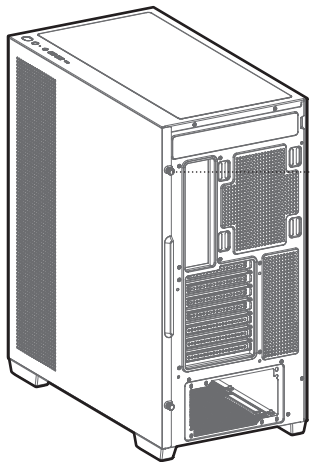
140mm×2

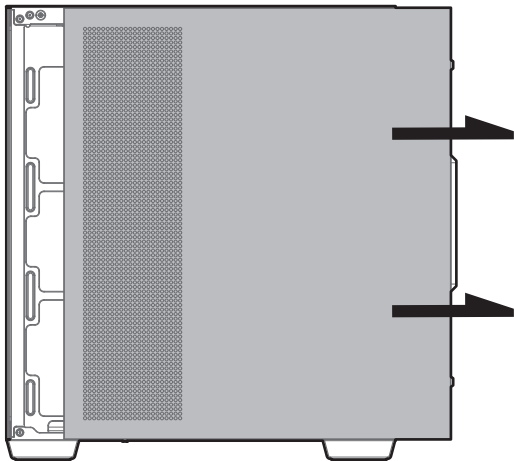


120/140/240/280/360mm

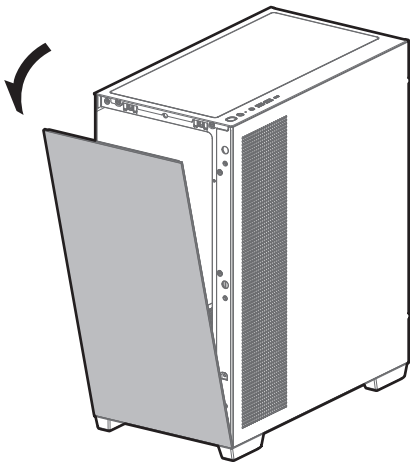
Removing the Side Panel



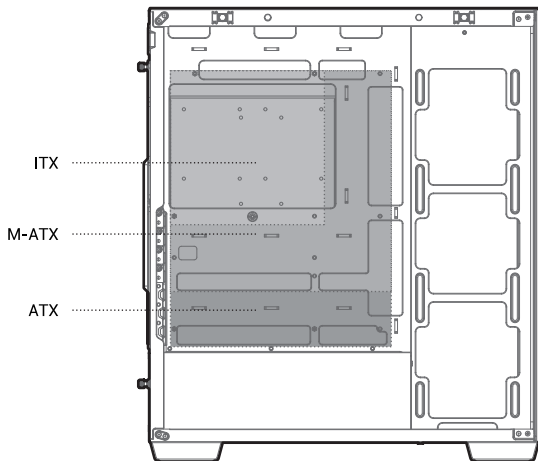




Installing the Front Panel

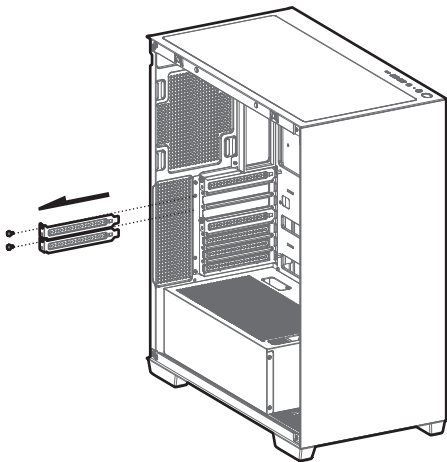


Installing the Motherboard

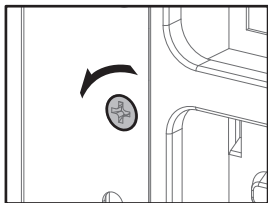
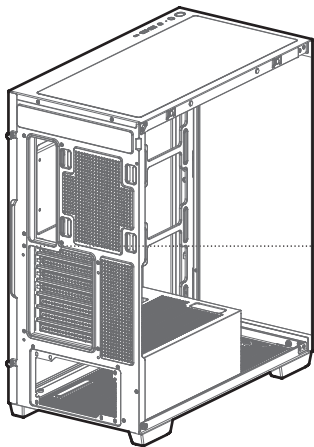


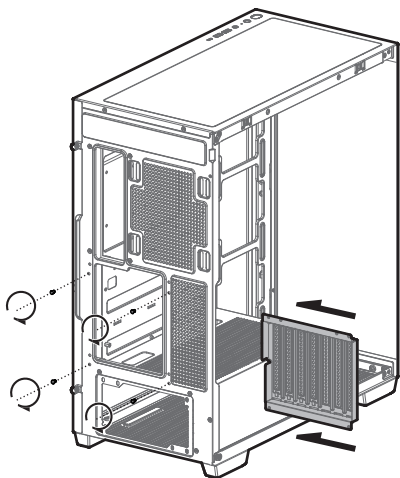
Rear Connector Motherboards:M-ATX/ATX

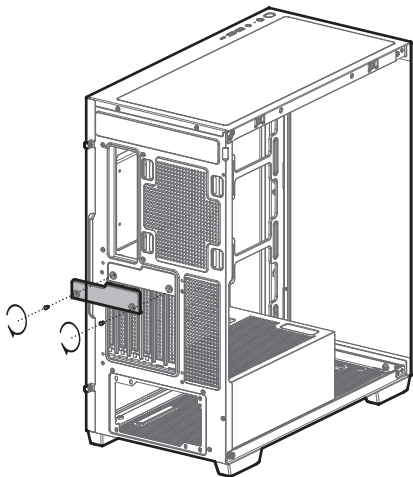
Installing the GPU



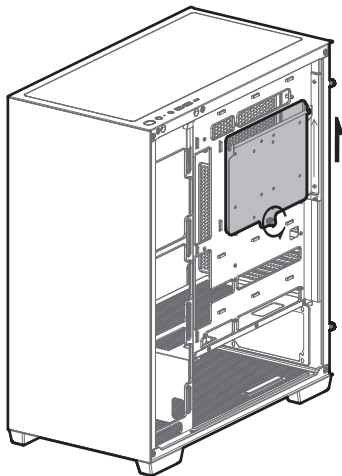
Vertical GPU Bracket Mode

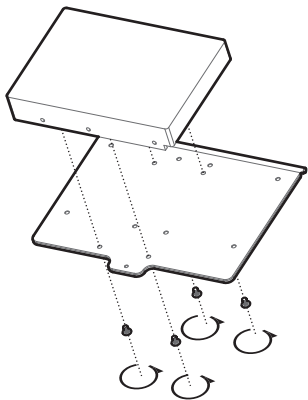


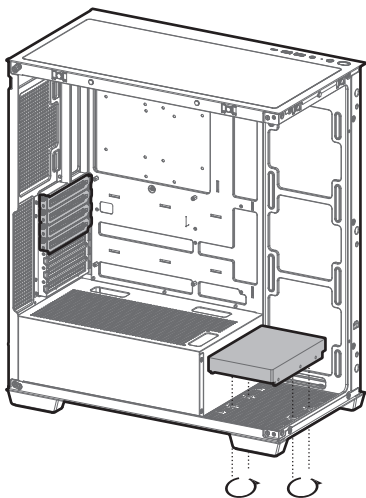




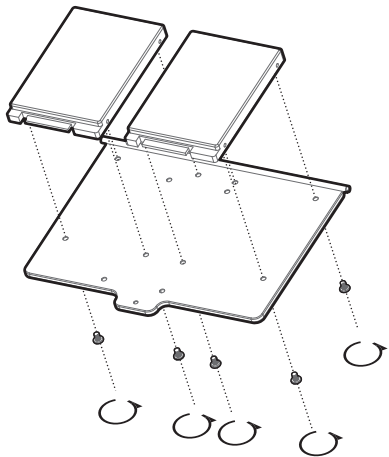
Installing HDDs



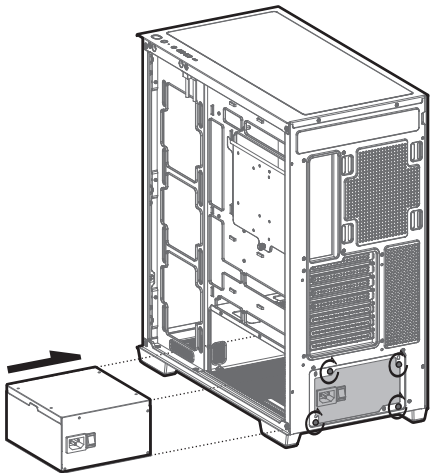




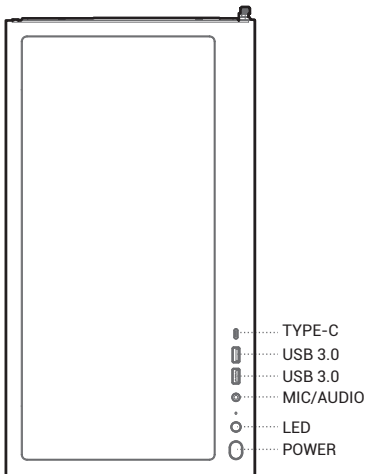
Installing SSDs



Installing the Power Supply

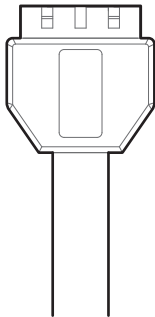


I/O Panel Introduction

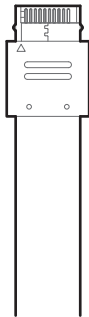


Installing the Front I/O Connectors

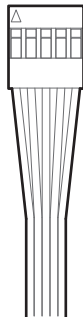
USB3.0



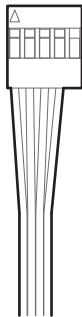
TYPE-C



HD AUDIO



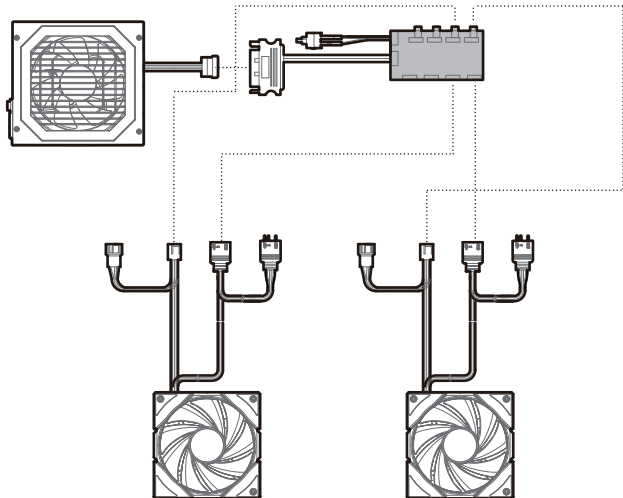
F_PANEL



LED/SW

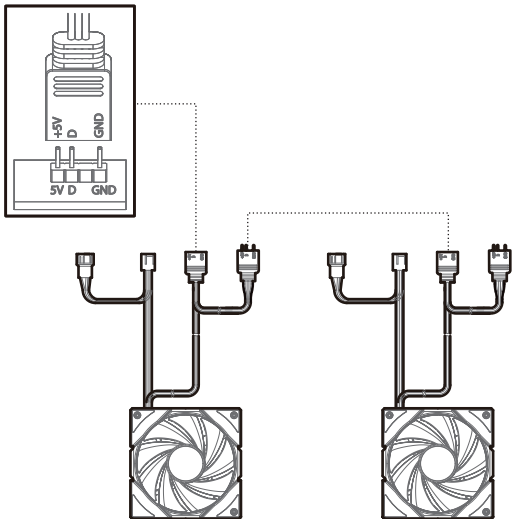


Manual ARGB&Fan Wiring



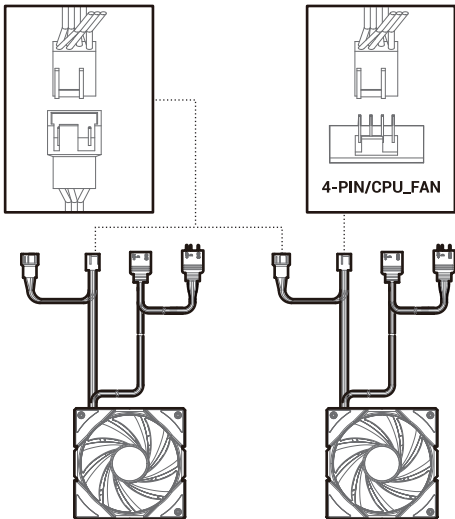
For reference only, please refer to the real product.

Motherboard RGB Synchronization




For reference only, please refer to the real product.

Fan Connection



For reference only, please refer to the real product.

部件名称	有毒有害物质或元素					
	铅 (Pb)	汞 (Hg)	镉 (Cd)	六价铬 (Cr+6)	多溴联苯 (PBB)	多溴二苯醚 (PBDE)
机壳	○	○	○	○	○	○
塑胶	○	○	○	○	○	○
螺丝	○	○	○	○	○	○
集成电路	○	○	○	○	○	○
零件包	○	○	○	○	○	○


 本表格依据SJ/T 11364的规定编制。
 环保使用期限标识表示产品在正常工作温度和湿度等条件下的环保使用年限为10年。
 ○：表示该有害物质在该部件所有均质材料中的含量均在GB/T 26572规定的限量要求以下。
 ×：表示该有害物质至少在该部件的某一均质材料中的含量超出GB/T 26572规定的限量要求，
 且因技术发展水平限制而无成熟方案替代，均符合欧盟RoHS法规环保指令。



