

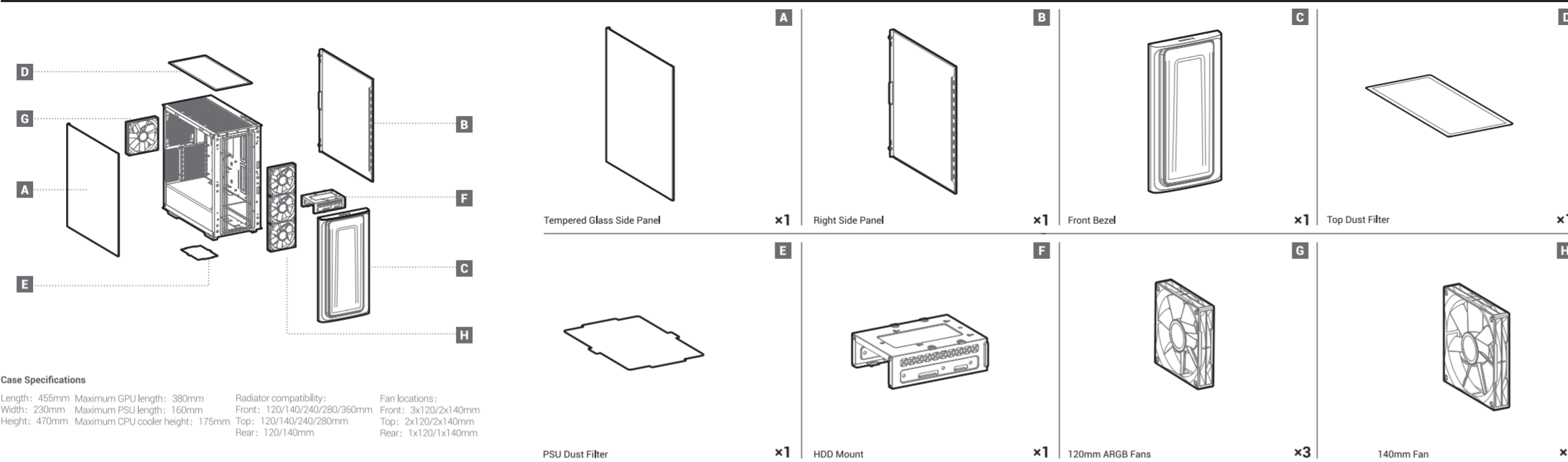
CG540 Series

Mid-Tower Airflow Case



www.deepcool.com

Case Features



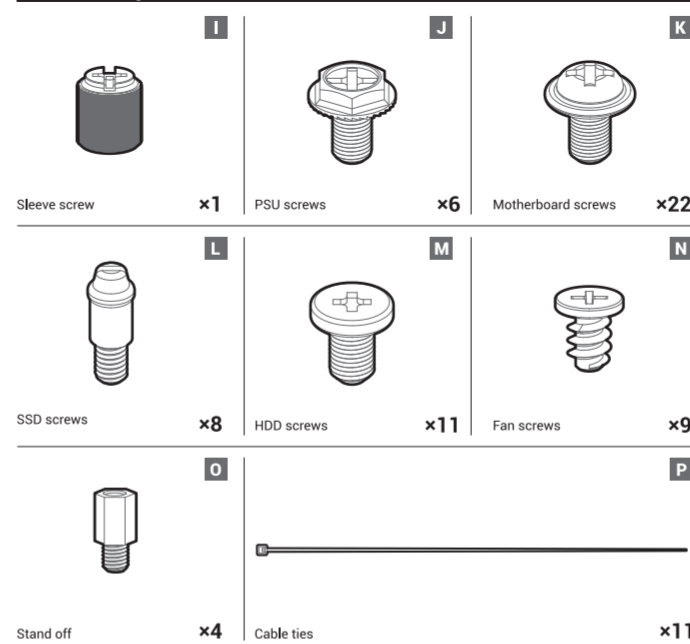
Case Specifications

Length: 455mm Maximum GPU length: 390mm
 Width: 230mm Maximum PSU length: 160mm
 Height: 470mm Maximum CPU cooler height: 175mm

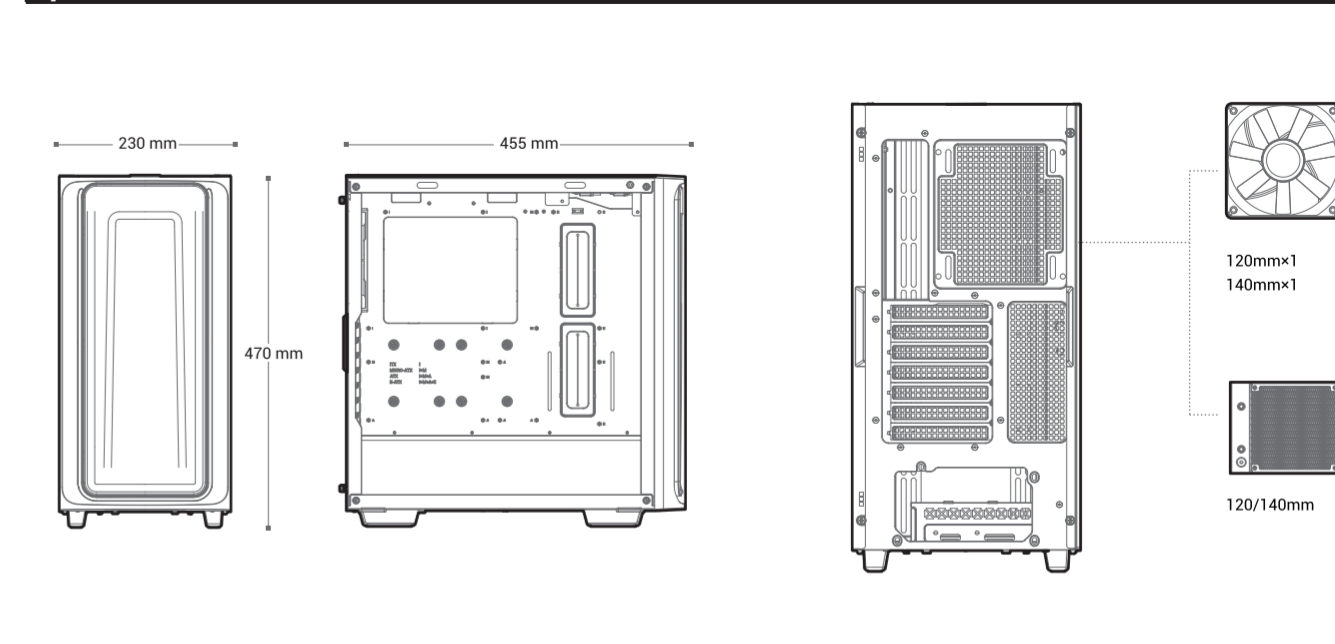
Radiator compatibility:
 Front: 120/140/240/280/360mm
 Top: 120/140/240/280mm
 Rear: 120/140mm

Fan locations:
 Front: 3x120/2x140mm
 Top: 2x120/2x140mm
 Rear: 1x120/1x140mm

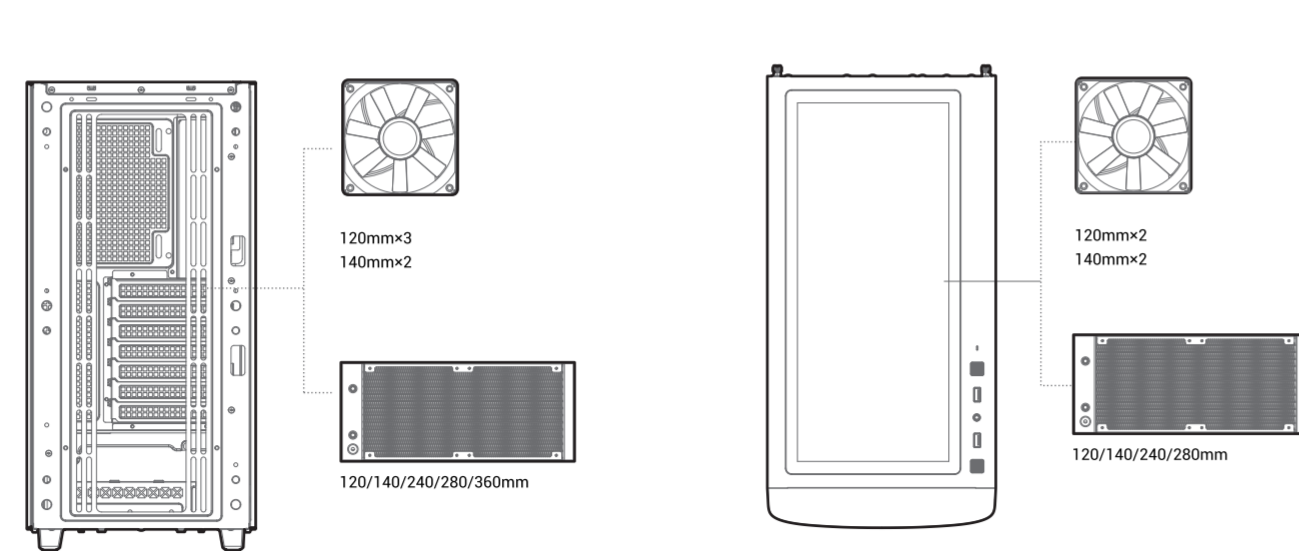
Accessory Kit Contents



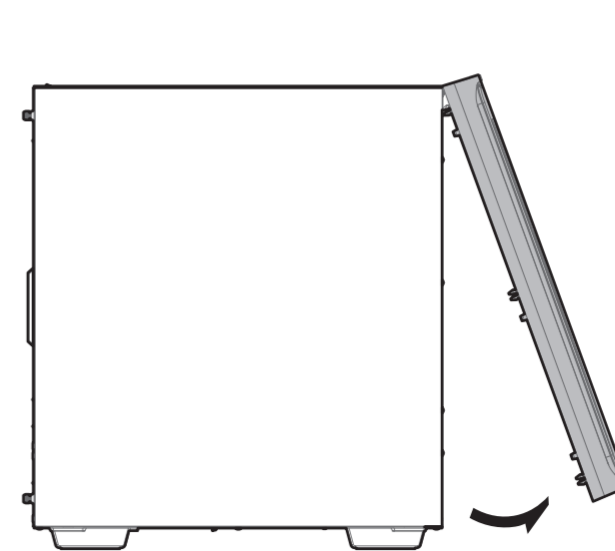
Specifications



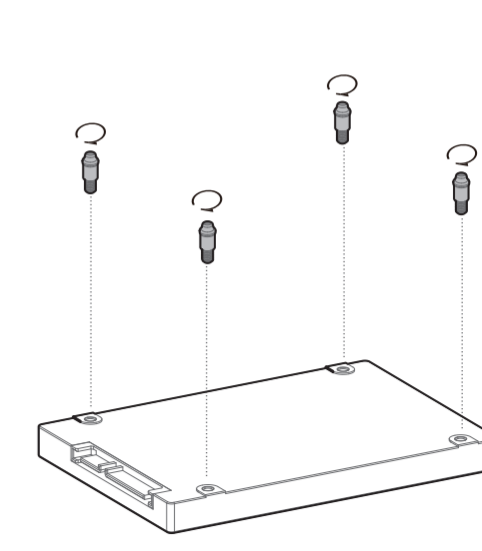
Removing the Side Panel



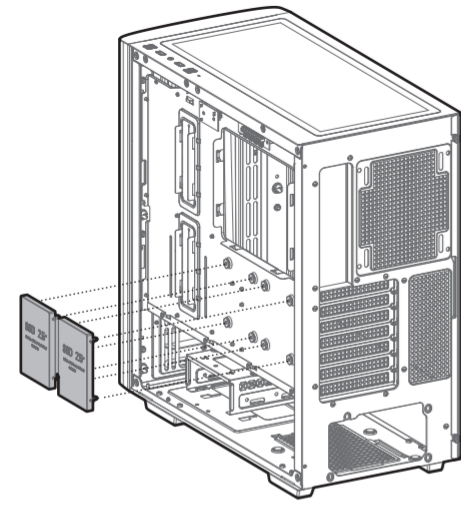
Removing the Front Panel



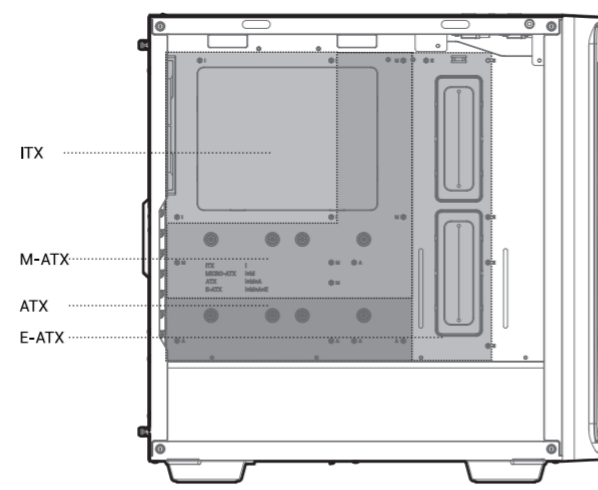
Installing SSDs



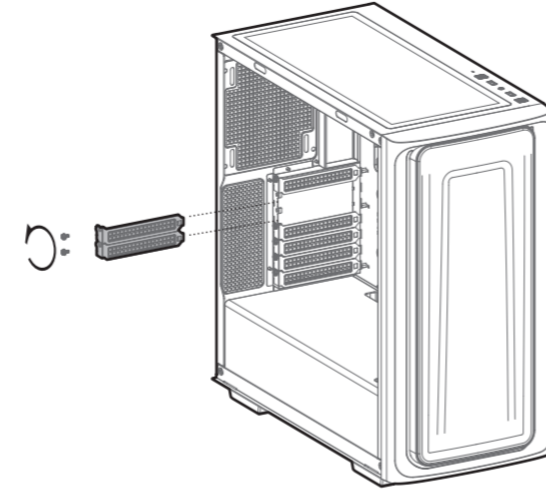
Installing SSDs



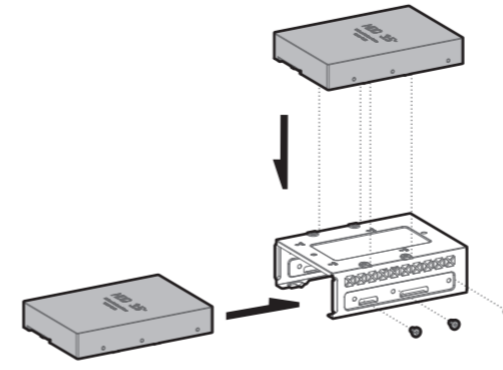
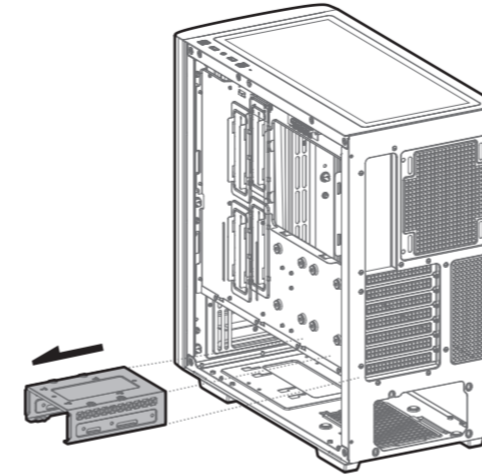
Installing the Motherboard



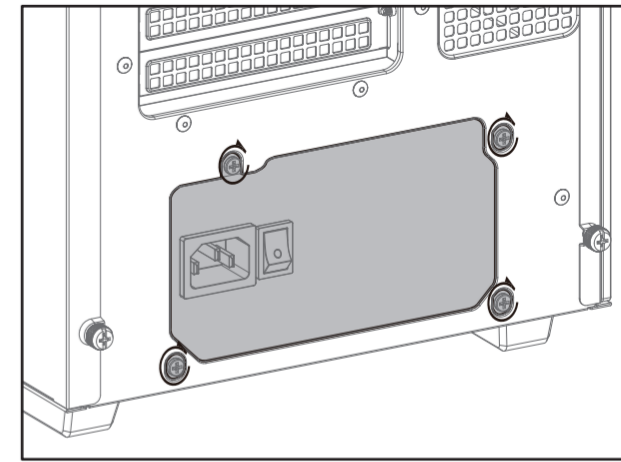
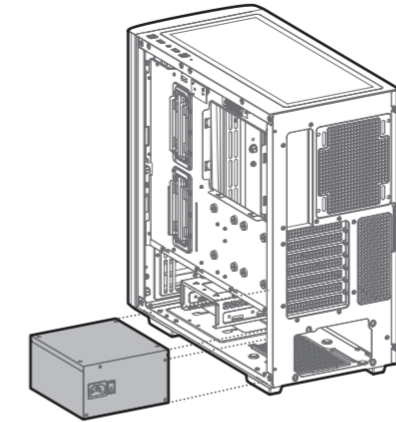
Installing the GPU



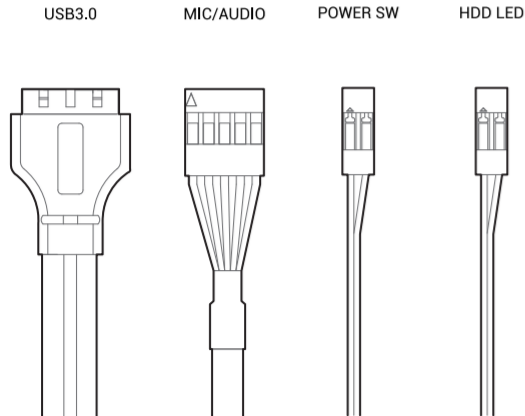
Installing HDDs



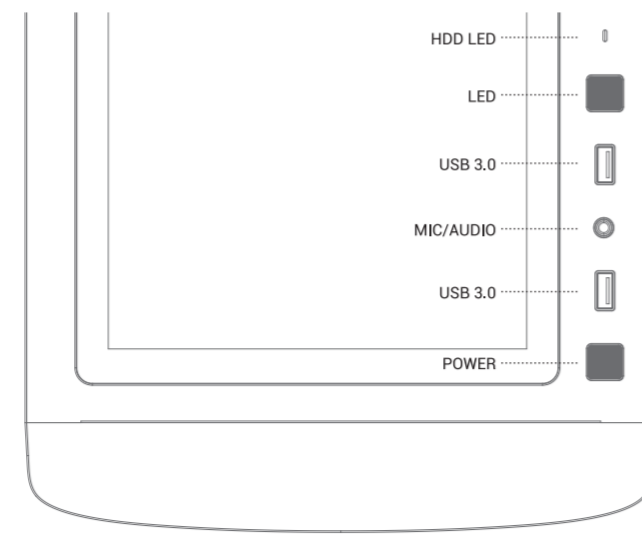
Installing the Power Supply



Installing the Front I/O Connectors

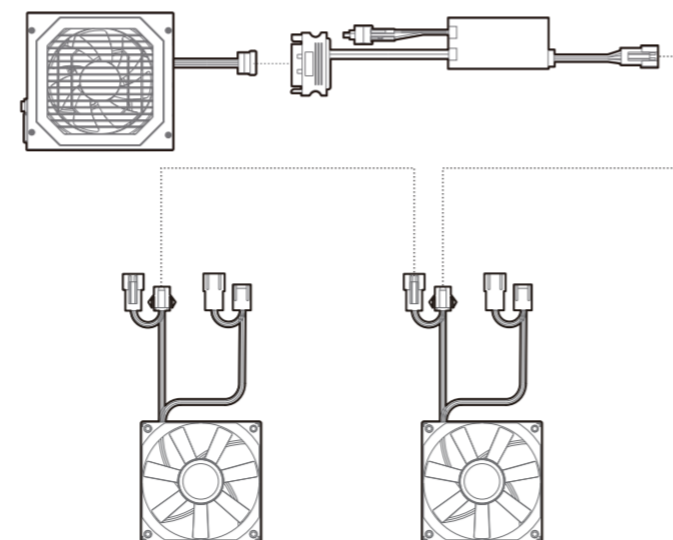


I/O Panel Introduction



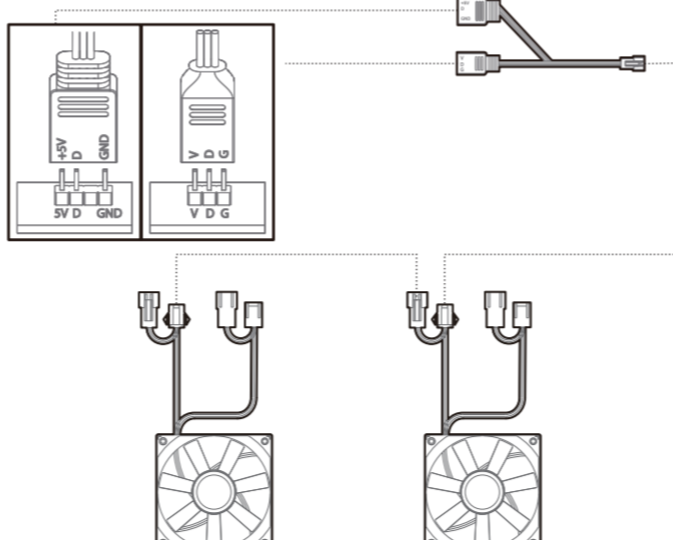
For reference only, please refer to the real product.

Manual RGB Wiring



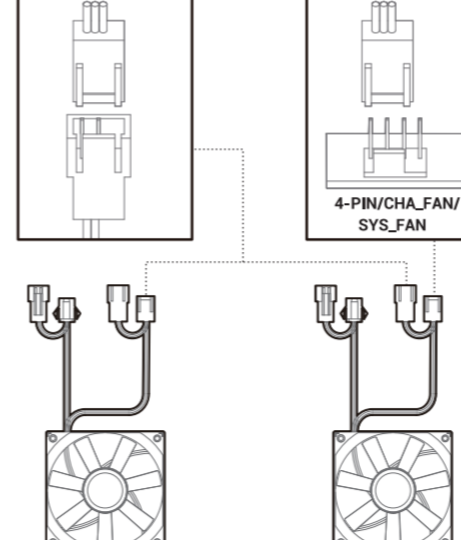
For reference only, please refer to the real product.

Motherboard RGB Synchronization



For reference only, please refer to the real product.

Fan Power Line Wiring



For reference only, please refer to the real product.

部件名称	有毒有害物质或元素					
	铅 (Pb)	汞 (Hg)	镉 (Cd)	六价铬 (Cr+6)	多溴联苯 (PBB)	多溴二苯醚 (PBDE)
机壳	○	○	○	○	○	○
塑胶	○	○	○	○	○	○
螺丝	○	○	○	○	○	○
集成电路	○	○	○	○	○	○
零件包	○	○	○	○	○	○

本表格依据SJ/T 11364的规定编制。
 环保使用期限标识表示产品在正常工作温度和湿度等条件下的环保使用年限为10年。
 ○: 表示该有害物质在该部件所有均质材料中的含量均在GB/T 26572规定的限量要求以下。
 ×: 表示该有害物质至少在该部件的某一均质材料中的含量超出GB/T 26572规定的限量要求, 且因技术发展水平限制而无成熟方案替代, 均符合欧盟RoHS法规环保指令。

BEIJING JZFS SCI-TECH CO., LTD.
 No. 101, Floor 1-4, Building 10, Dijin Road 9, Haidian Dist., Beijing, China
 © 2024 BEIJING JZFS SCI-TECH CO., LTD. All rights reserved.
 "DEEPCOOL" and other commercial identities are legitimate registered trademarks and commercial identities of the trademarks owner and its affiliates in China and other countries or regions.
 Pictures on this package are for reference only, please refer to the actual product.



EN For more information, please check our website at: www.deepcool.com
 DE Für weitere Informationen besuchen Sie bitte unsere Website unter: www.deepcool.com
 FR Pour plus d'informations, merci de visiter notre site internet: www.deepcool.com
 ES Para más información, por favor, visite nuestra página en: www.deepcool.com
 IT Per ulteriori informazioni, visitate il nostro sito web: www.deepcool.com
 PT Para mais informação, visita o nosso website em: www.deepcool.com
 CS Další informace najdete na našich webových stránkách: www.deepcool.com
 SV För mer information, gå till vår hemsida på: www.deepcool.com
 PL Więcej informacji można znaleźć na naszej stronie internetowej: www.deepcool.com
 TR Daha fazla bilgi için, lütfen websitemizi ziyaret edin: www.deepcool.com
 RU Больше информации на сайте: www.deepcool.com
 UK Щоб отримати додаткову інформацію, перегляньте наш веб-сайт: www.deepcool.com
 KK Кобрек ақпарат алу үшін біздің вебсайтымызға кіріңіз: www.deepcool.com
 JA 詳細については、以下URL先の公式WEBサイトをご確認ください: www.deepcool.com
 KO 자세한 내용은 www.deepcool.com 에서 확인하실 수 있습니다.
 AR للمزيد من المعلومات، يرجى زيارة موقعنا على www.deepcool.com
 TH สำหรับข้อมูลเพิ่มเติม กรุณาเยี่ยมชมเว็บไซต์ของเรา: www.deepcool.com
 VI Để biết thêm chi tiết, vui lòng kiểm tra tại website: www.deepcool.com
 ZH 如需要更多信息, 請瀏覽網站: www.deepcool.com
 ZH 如需要更多信息, 請瀏覽網站: www.deepcool.com