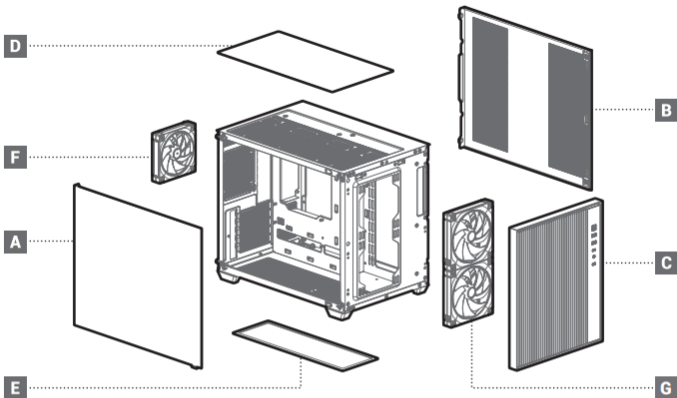


CG330 MESH 3F **Series**

High-Airflow Dual-Chamber M-ATX Case

Case Features



Case Specifications

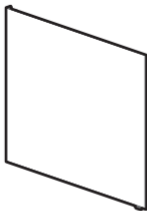
Length: 457mm
Width: 285mm
Height: 368mm

Fan locations:
Front: 2x120/2x140mm
Top: 3x120mm/2x140mm
Rear: 1x120mm

Maximum GPU length: 410mm
Maximum PSU length: 200mm
Maximum CPU cooler height: 200mm

Side: 2x120/2x140mm
Bottom: 3x120mm

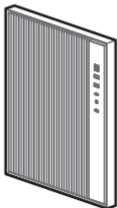
Radiator compatibility:
Top: 120/140/240/280/360mm
Side: 120/140/240/280mm
Bottom: 120/240/360mm
Rear: 120mm

A

Tempered Glass Side Panel

x1**B**

Right Side Panel

x1**C**

Front Panel

x1**D**

Top Dust Filter

x1

E

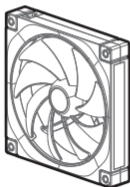
Bottom Dust Filter

x1

F

12CM Forward-Curved Blade Fan

x1

G

14CM Forward-Curved Blade Fan

x2

Accessory Kit Contents

H

PSU Screws

x6**I**

Motherboard Screws

x12**J**

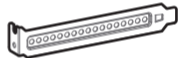
HDD Screws

x8**K**

Stand Off

x4**L**

Sleeve Screws

x1**M**

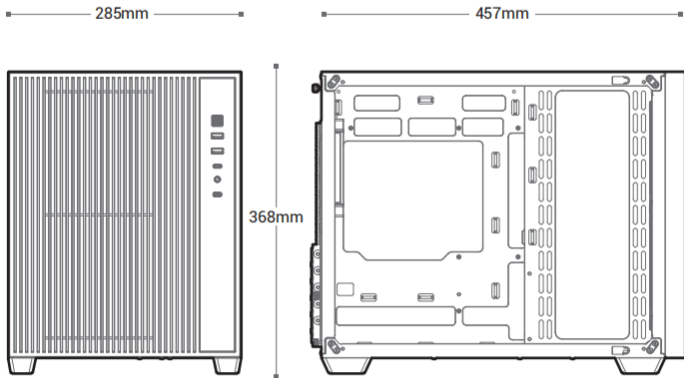
PCI-E Slot Block

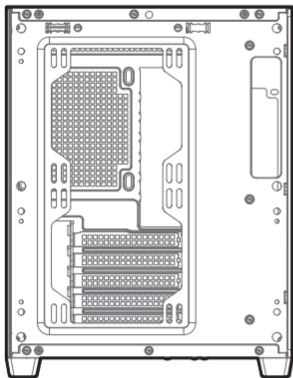
x1**N**

Cable Tise

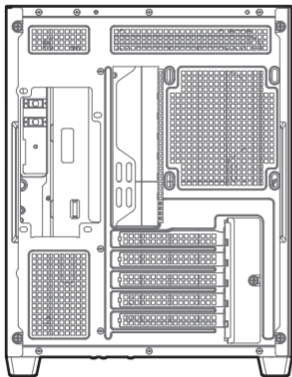
x8

Specifications

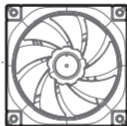
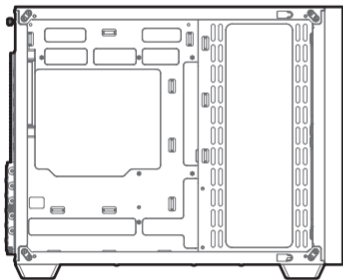




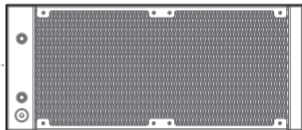
120mm×2
140mm×2



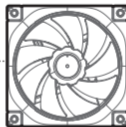
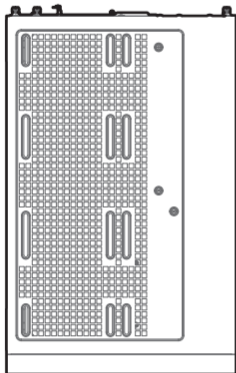
120mm×1



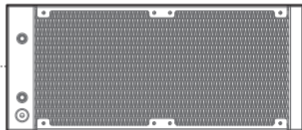
120mm×2
140mm×2



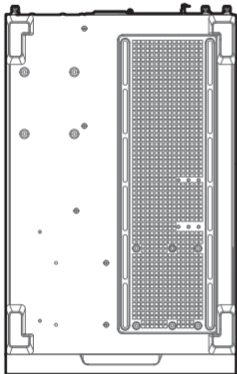
120/140/240/280mm



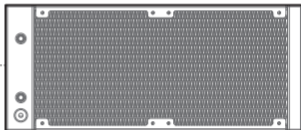
120mm×3
140mm×2



120/140/240/280/360mm

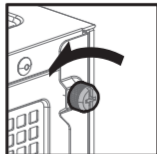
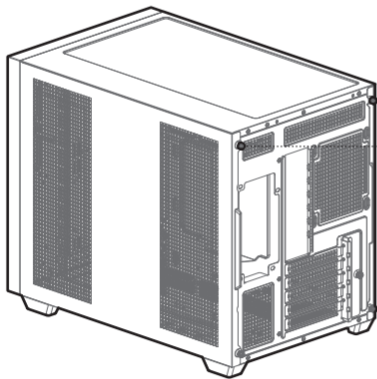


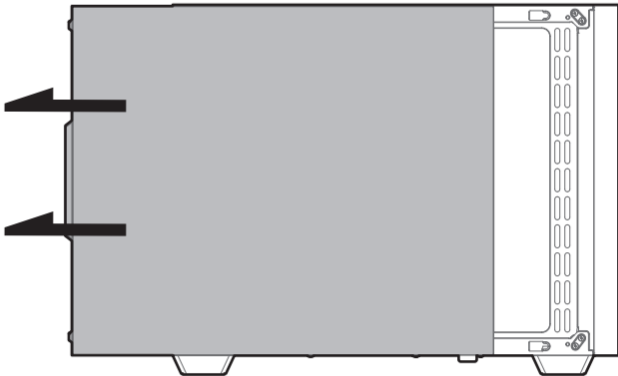
120mm×38mm
3.5HDD+2×120mm

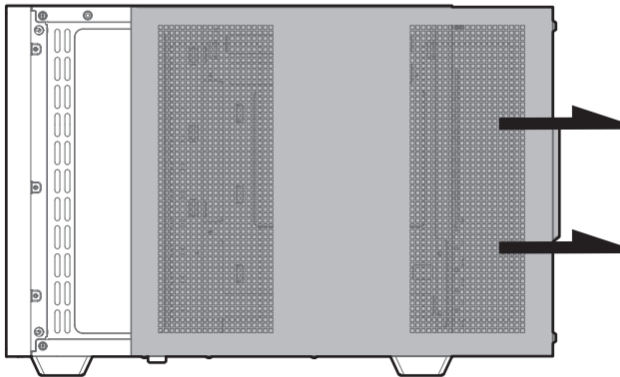


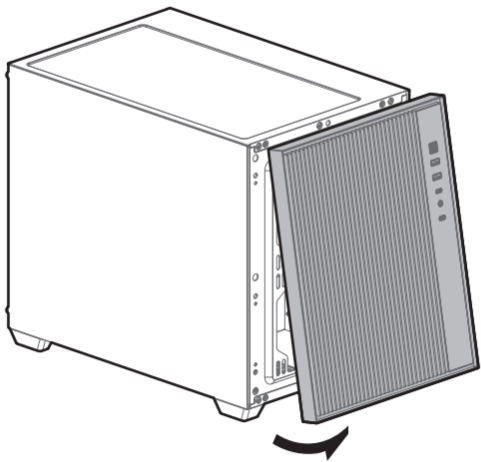
120/140/240/280/360mm

Removing the Side Panel and Front Panel

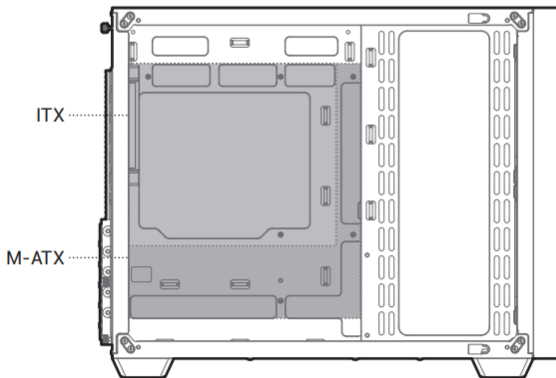






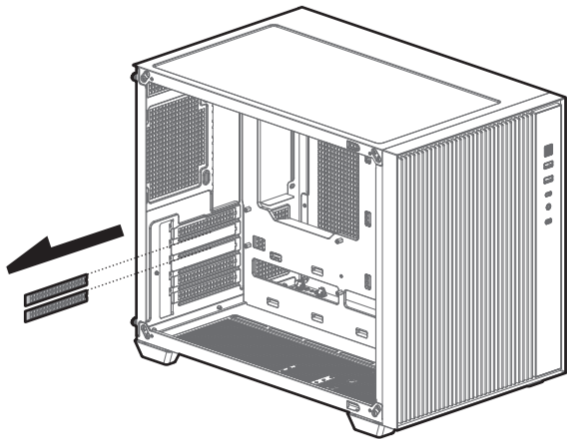


Installing the Motherboard

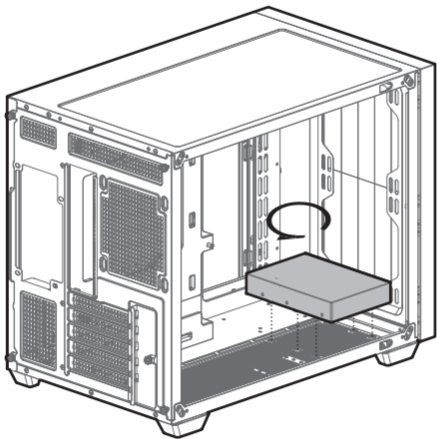


Rear Connector Motherboards:M-ATX

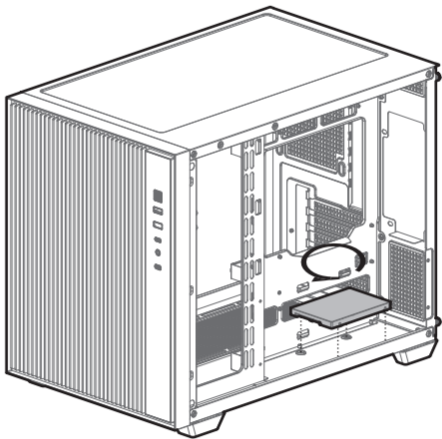
Installing the GPU

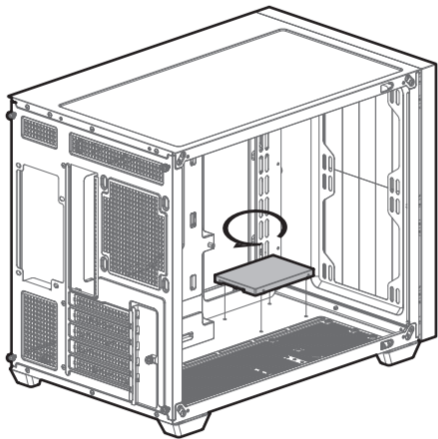


Installing HDD

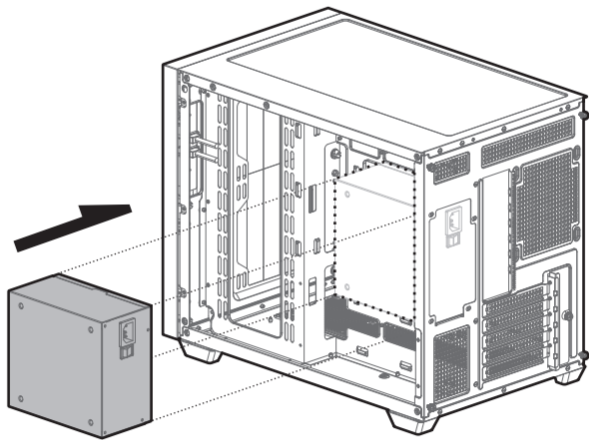


Installing SSD

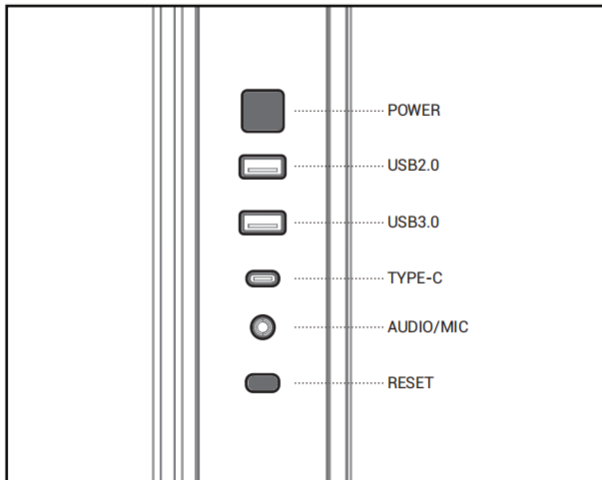




Installing the Power Supply

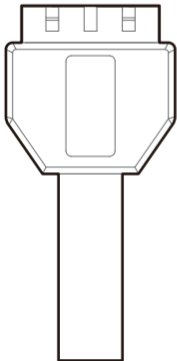


I/O Panel Introduction

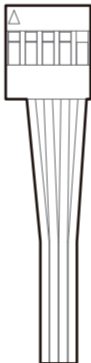


Installing the Front I/O Connectors

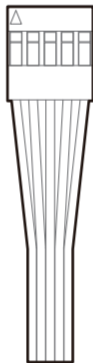
USB3.0



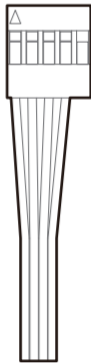
USB2.0



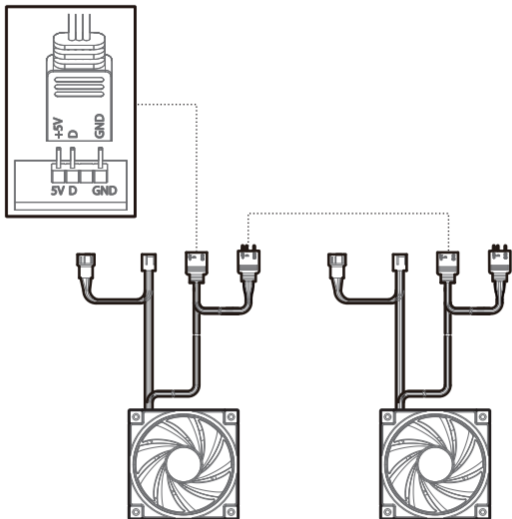
HD AUDIO



F_PANEL

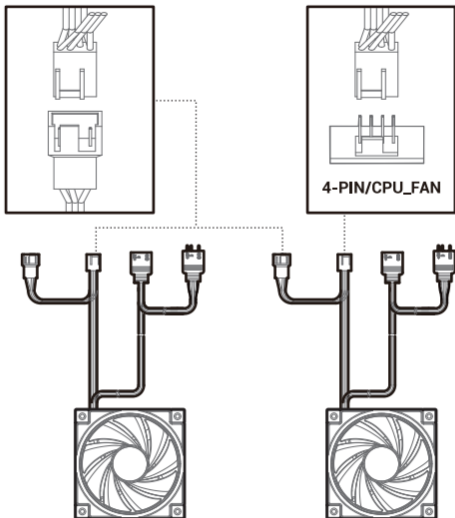


Motherboard RGB Synchronization



For reference only, please refer to the real product.

Fan Connection



For reference only, please refer to the real product.

| 部件名称 | 有毒有害物质或元素 | | | | | |
|------|-----------|-----------|-----------|---------------|---------------|-----------------|
| | 铅 (Pb) | 汞 (Hg) | 镉 (Cd) | 六价铬 (Cr+6) | 多溴联苯 (PBB) | 多溴二苯醚 (PBDE) |
| 机壳 | ○ | ○ | ○ | ○ | ○ | ○ |
| 塑胶 | ○ | ○ | ○ | ○ | ○ | ○ |
| 螺丝 | ○ | ○ | ○ | ○ | ○ | ○ |
| 集成电路 | ○ | ○ | ○ | ○ | ○ | ○ |
| 零件包 | ○ | ○ | ○ | ○ | ○ | ○ |

本表格依据SJ/T 11364的规定编制。

环保使用期限标识表示产品在正常工作温度和湿度等条件下的环保使用年限为10年。

○：表示该有害物质在该部件所有均质材料中的含量均在GB/T 26572规定的限量要求以下。

×：表示该有害物质至少在该部件的某一均质材料中的含量超出GB/T 26572规定的限量要求，且因技术发展水平限制而无成熟方案替代，均符合欧盟RoHS法规环保指令。



