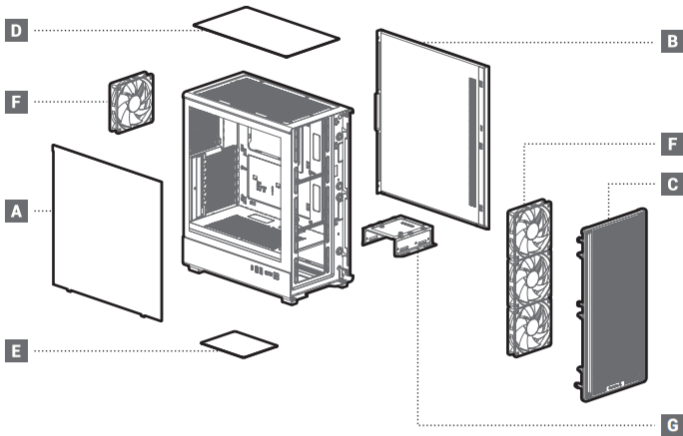


CC550 4F

High-Airflow Mid-Tower ATX case

Case Features



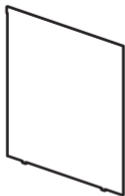
Case Specifications

Length: 379mm
Width: 208mm
Height: 446mm

Maximum GPU length: 317mm
Maximum PSU length: 180mm
Maximum CPU Cooler length: 163mm

Radiator compatibility:
Top: 120/240mm

Fan locations:
Top: 2×120 / 2×140mm
Front: 3×120mm
Bottom: 2×120 mm
Rear: 1×120mm

A

Tempered Glass Side Panel

x1**B**

Right Side Panel

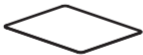
x1**C**

Front Panel

x1**D**

Top Dust Filter

x1

E

Bottom Dust Filter

x1**F**

Forward-Curved Blade Fan

x4

G

Hard Disk Bracket

x1

Accessory Kit Contents

H

PSU Screws

×6**I**

Motherboard Screws

×18**J**

HDD Screws

×9**K**

Stand Off

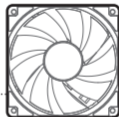
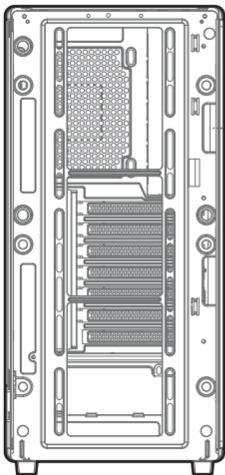
×3**L**

Sleeve Screws

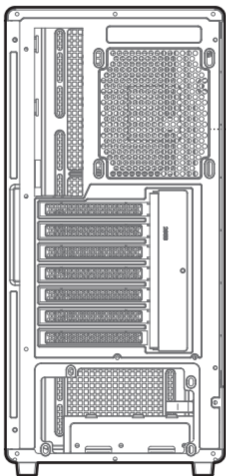
×1**M**

Cable Ties

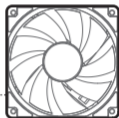
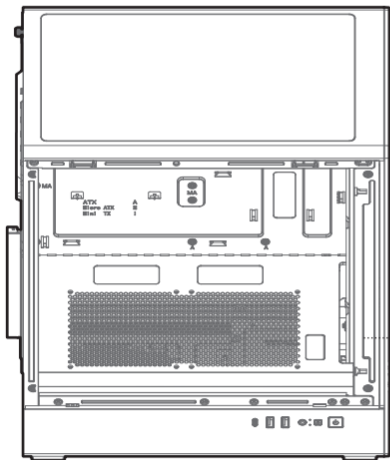
×5



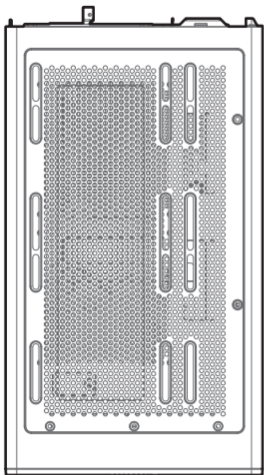
120mm×38



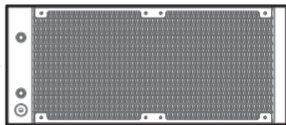
120mm×1



120mm×2

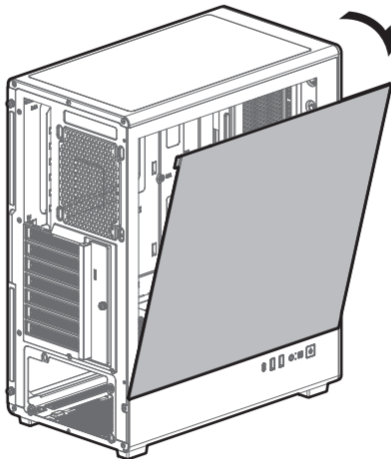


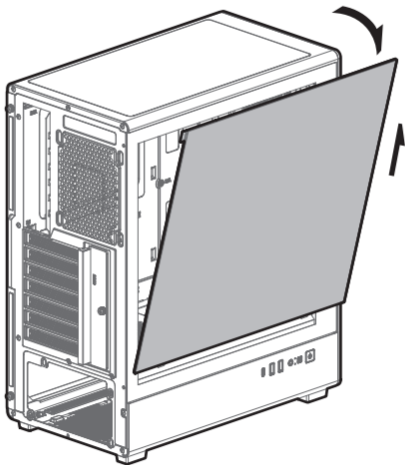
120mm×2
140mm×2

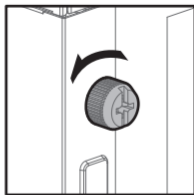
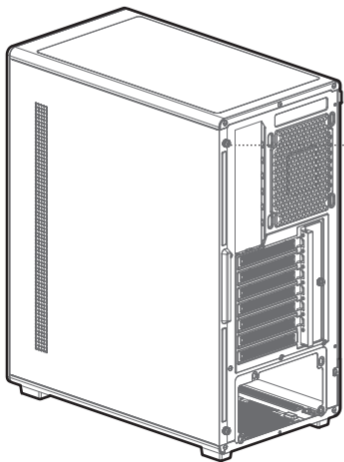


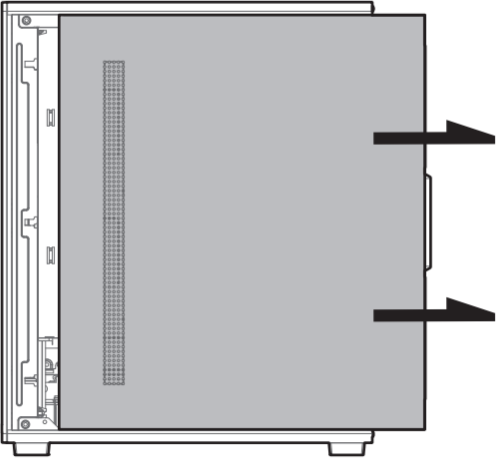
120/240mm

Removing the Side Panel

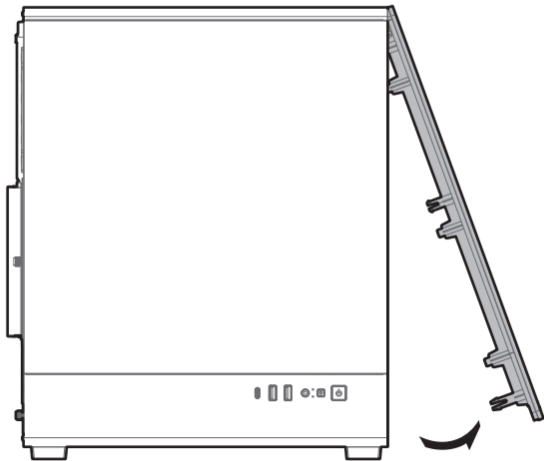




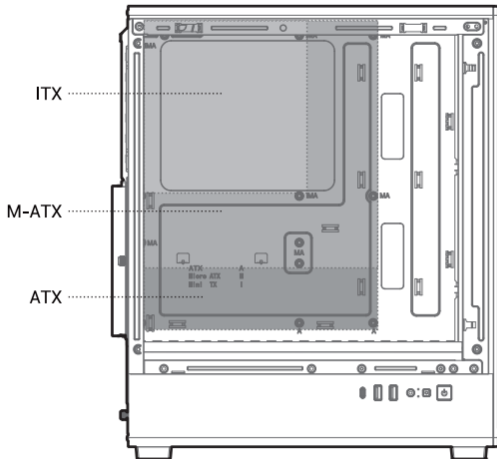




Installing the Front Panel

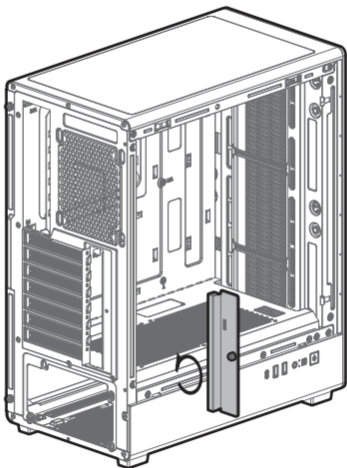


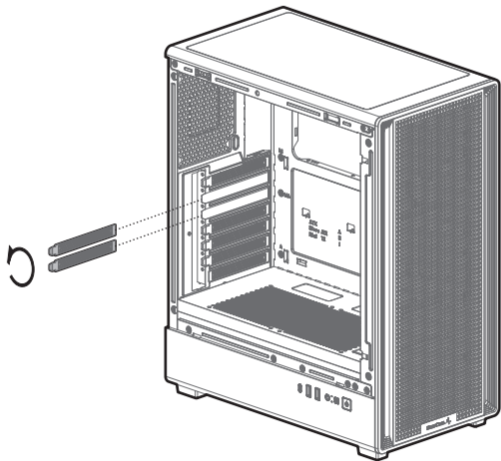
Installing the Motherboard



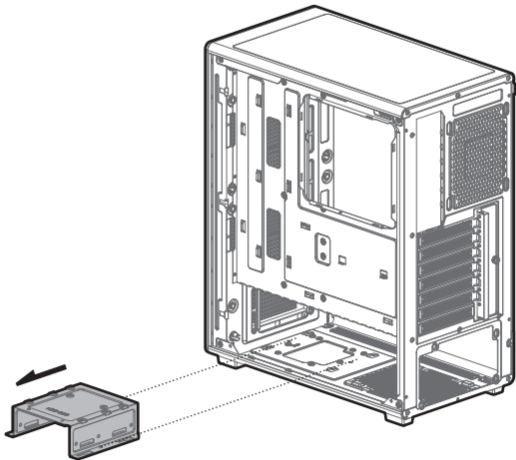
Rear Connector Motherboards:M-ATX/ATX

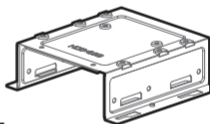
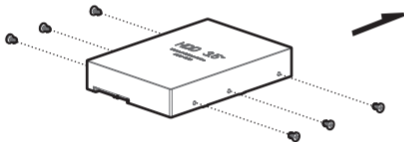
Installing the GPU



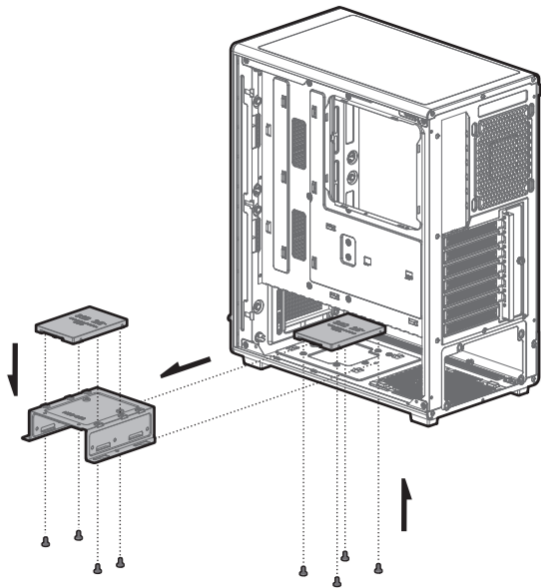


Installing HDDs

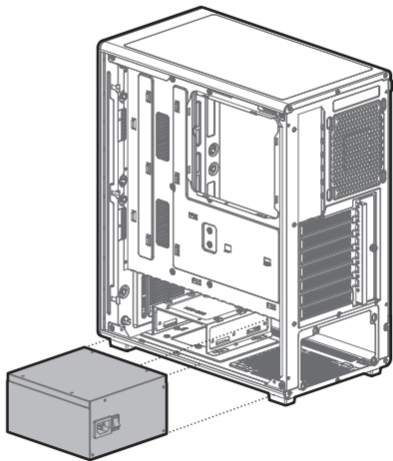


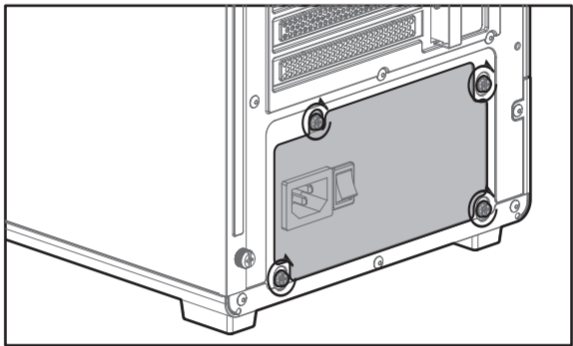


Installing SSDs

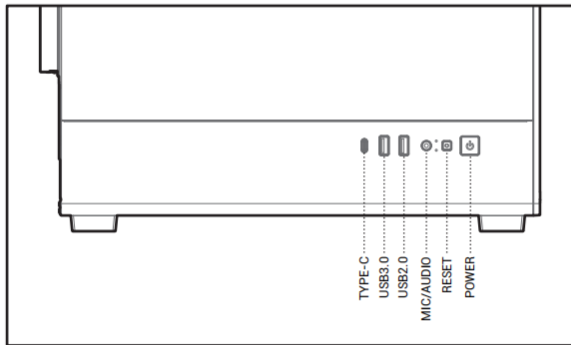


Installing the Power Supply



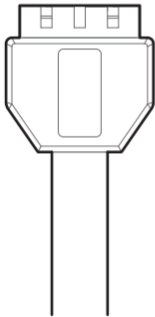


I/O Panel Introduction

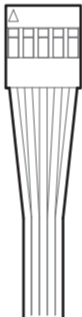


Installing the Front I/O Connectors

USB3.0



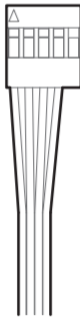
USB2.0



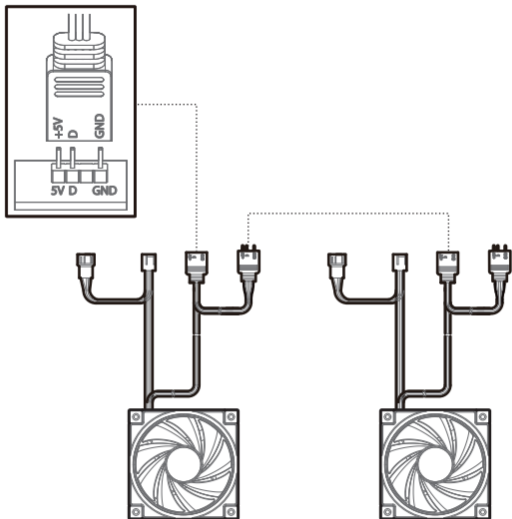
HD AUDIO



F_PANEL

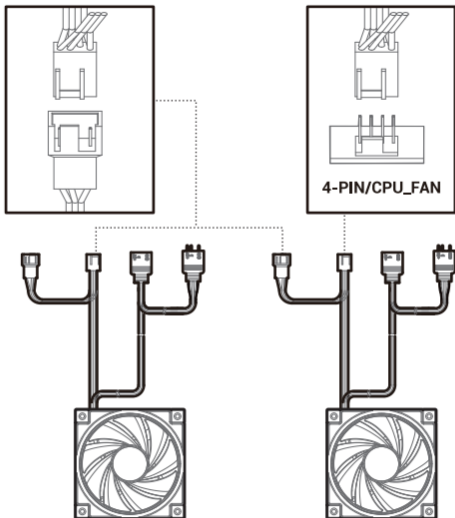


Motherboard RGB Synchronization



For reference only, please refer to the real product.

Fan Connection



For reference only, please refer to the real product.

部件名称	有毒有害物质或元素					
	铅 (Pb)	汞 (Hg)	镉 (Cd)	六价铬 (Cr+6)	多溴联苯 (PBB)	多溴二苯醚 (PBDE)
机壳	○	○	○	○	○	○
塑胶	○	○	○	○	○	○
螺丝	○	○	○	○	○	○
集成电路	○	○	○	○	○	○
零件包	○	○	○	○	○	○


 本表格依据SJ/T 11364的规定编制。
 环保使用期限标识表示产品在正常工作温度和湿度等条件下的环保使用年限为10年。
 ○:表示该有害物质在该部件所有均质材料中的含量均在GB/T 26572规定的限量要求以下。
 ×:表示该有害物质至少在该部件的某一均质材料中的含量超出GB/T 26572规定的限量要求,
 且因技术发展水平限制而无成熟方案替代,均符合欧盟RoHS法规环保指令。



