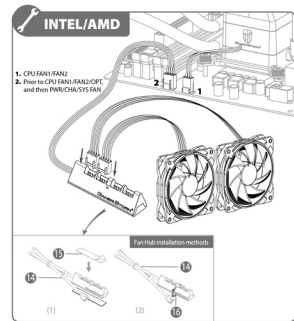
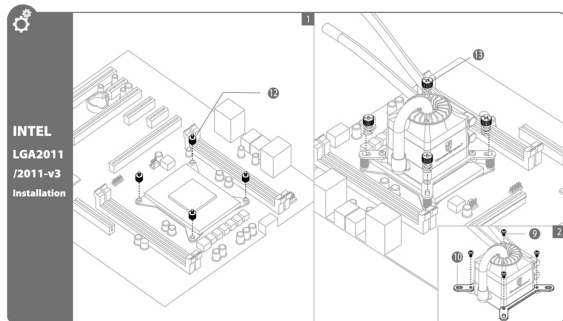
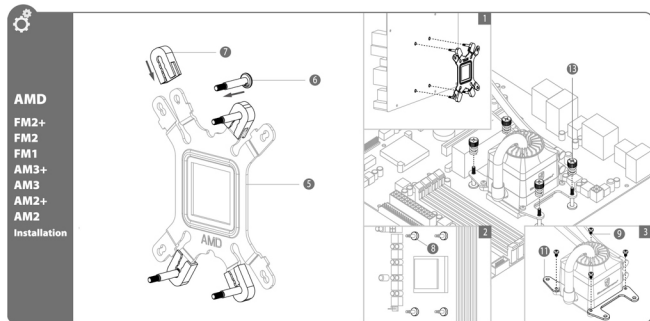
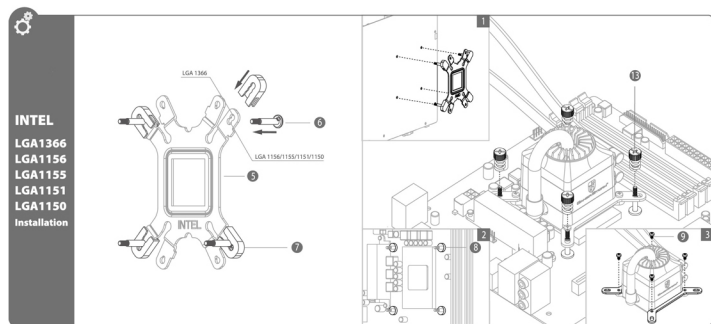
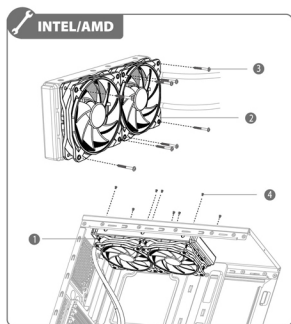
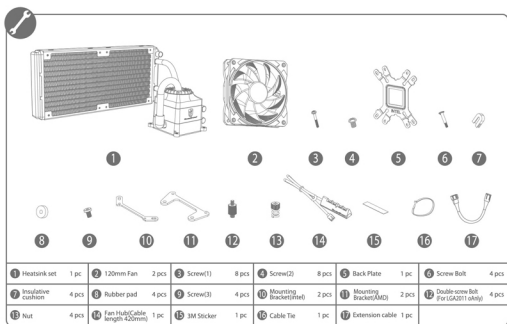




**CAPTAIN 240**  
User manual



**AMD**  
FM2+  
FM2  
FM1  
AM3+  
AM3  
AM2+  
AM2  
Installation

**INTEL**  
LGA2011  
/2011-v3  
Installation

**INTEL/AMD**

1. CPU FAN1/FAN2
2. Prior to CPU FAN1/FAN2/OPT, and then PWR/CHA/SYS FAN

www.gamertorm.cn

Patent Pending  
Designs and designs are trademarks being Beijing Deepcool Industries Co., Ltd.  
All rights reserved.  
Beijing Deepcool Industries Co., Ltd.  
MADE IN CHINA

