

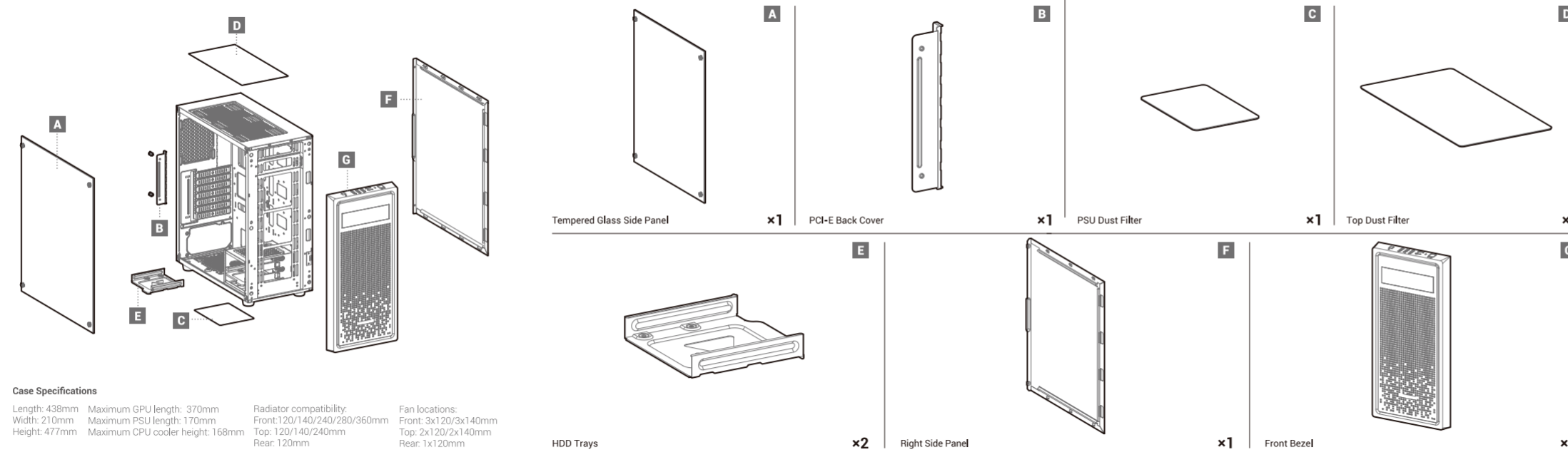
E-SHIELD

Mid-Tower Case



www.deepcool.com

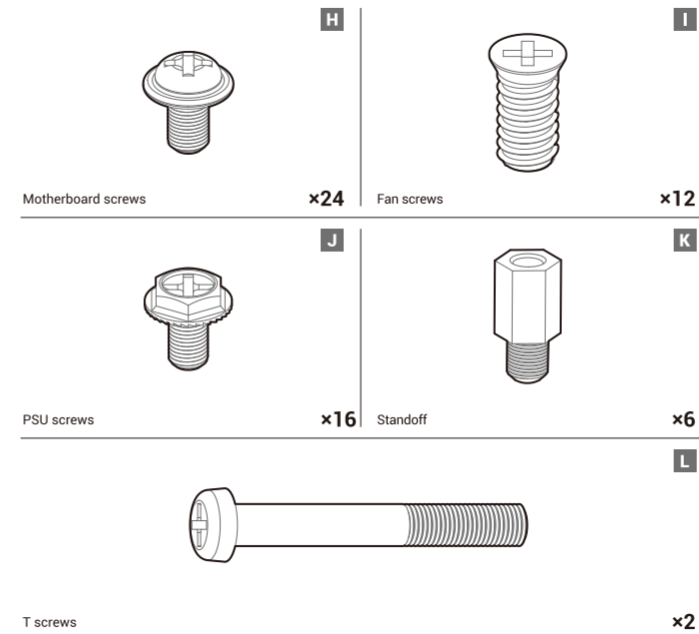
Case Features



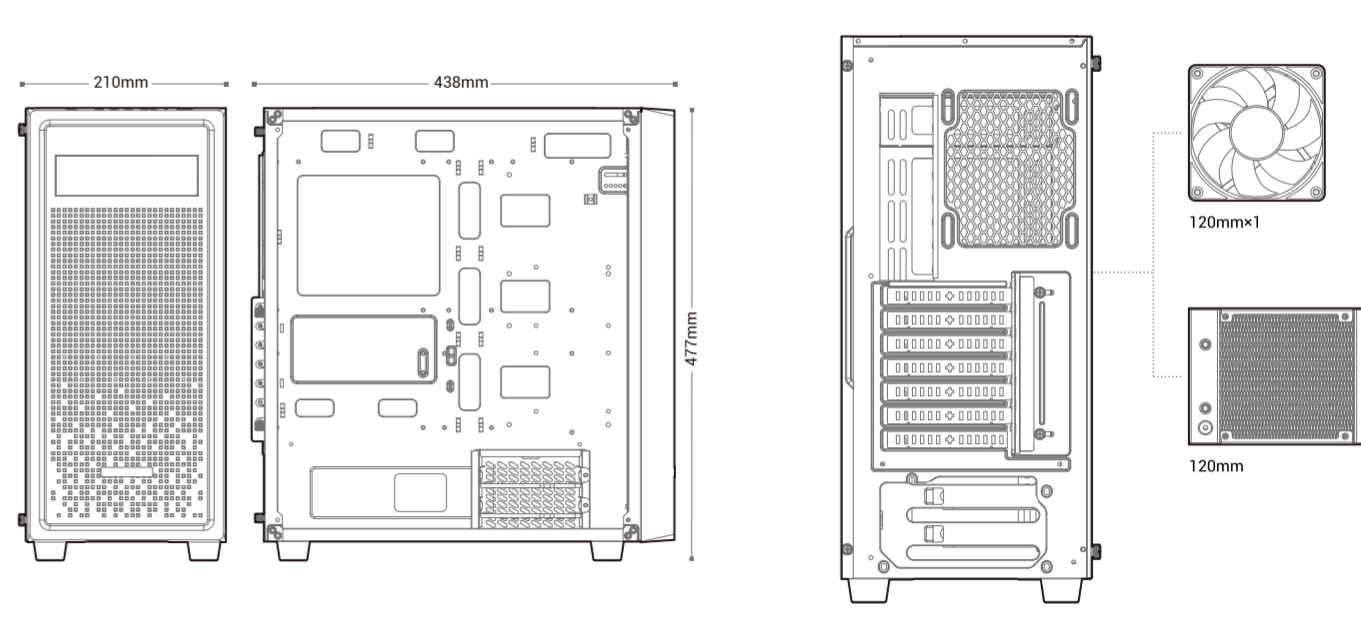
Case Specifications

Length: 438mm Maximum GPU length: 370mm Radiator compatibility: Front: 120/140/240/280/360mm Fan locations: Front: 3x120/3x140mm
 Width: 210mm Maximum PSU length: 170mm Top: 120/140/240mm Rear: 120mm
 Height: 477mm Maximum CPU cooler height: 168mm Top: 2x120/2x140mm Rear: 1x120mm

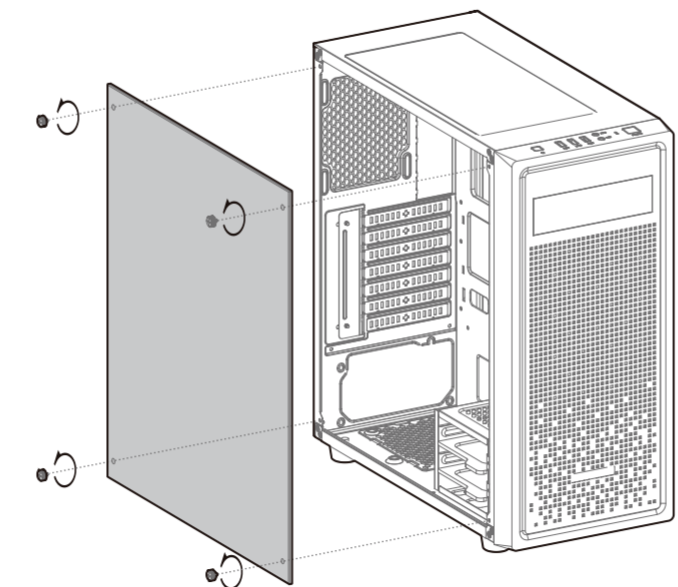
Accessory Kit Contents



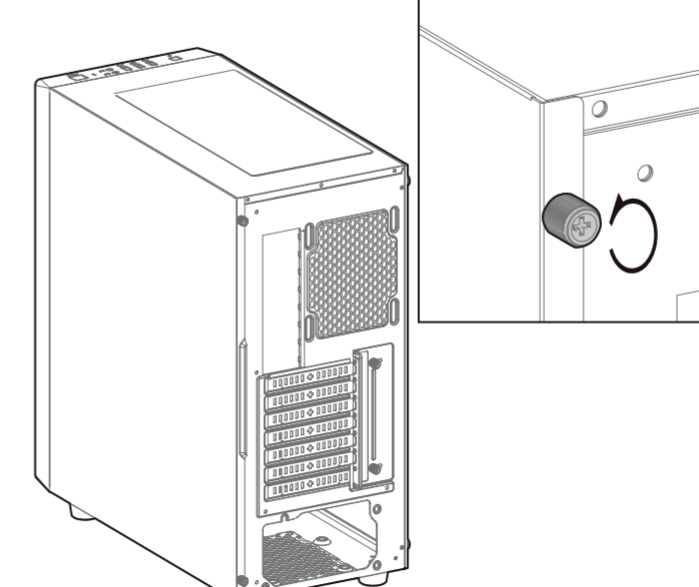
Specifications



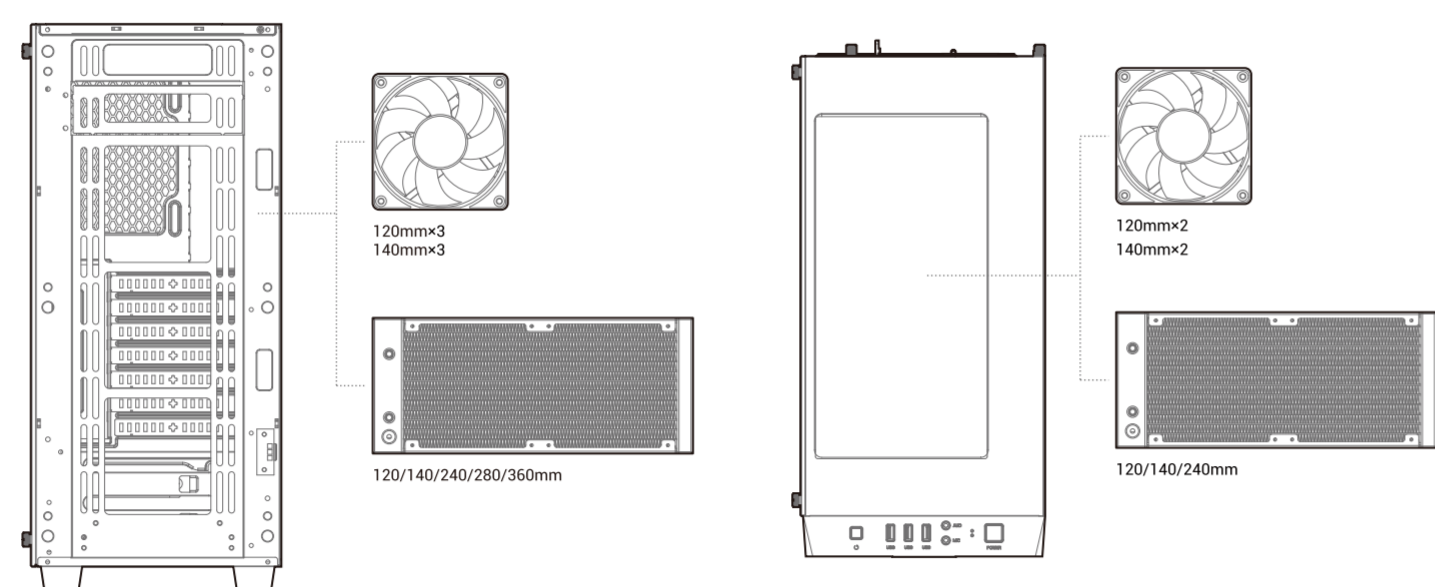
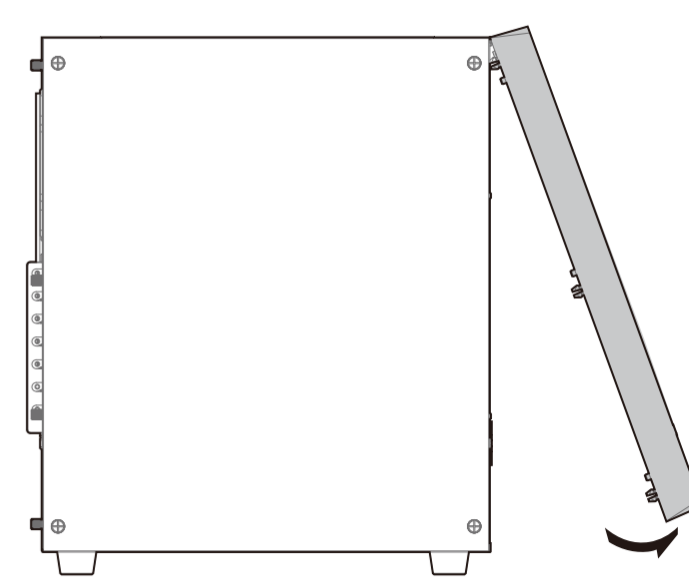
Removing the Tempered Glass Side Panel



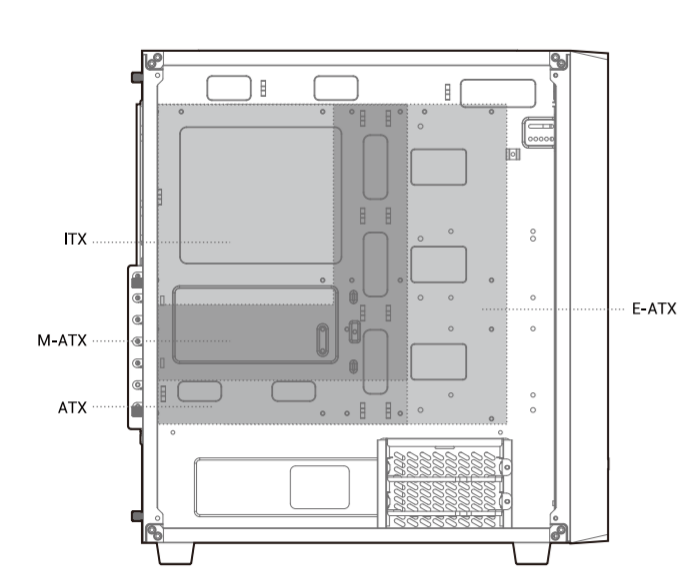
Removing the Metal Side Panel



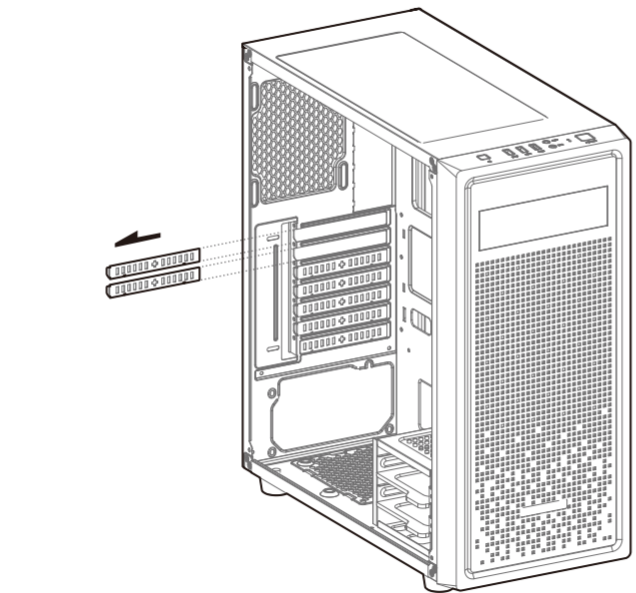
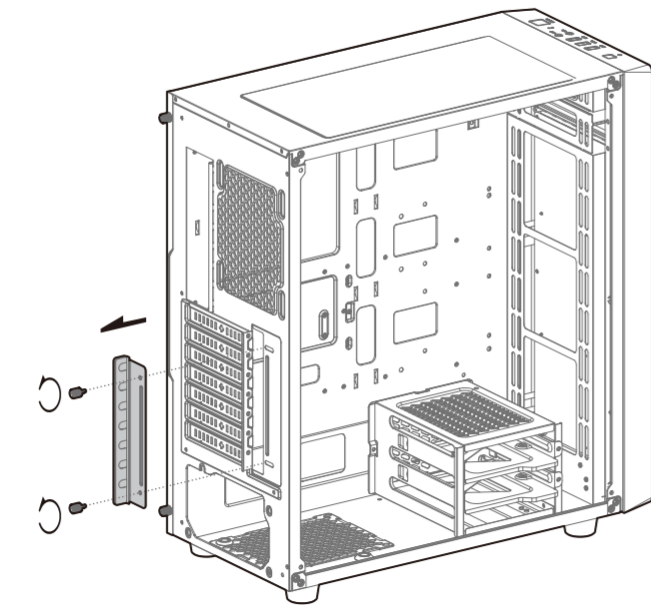
Removing the Front Panel



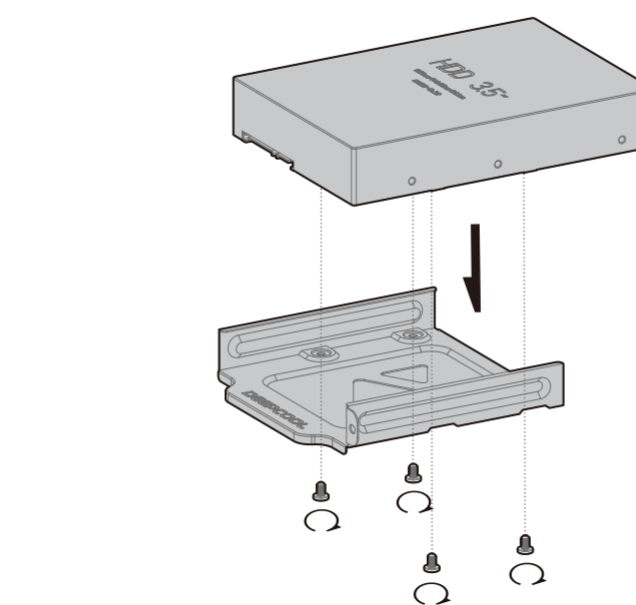
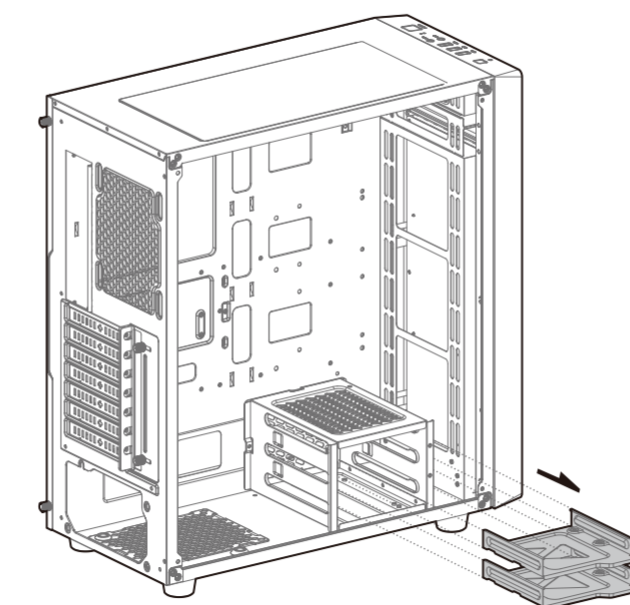
Installing the Motherboard



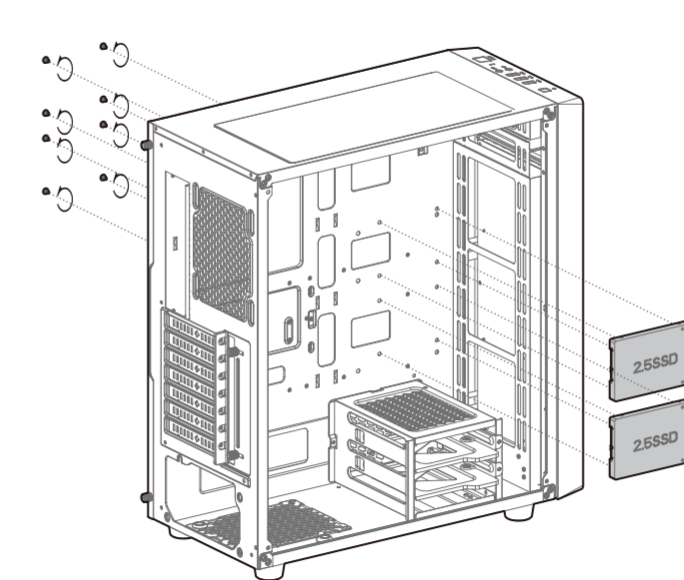
Installing the GPU



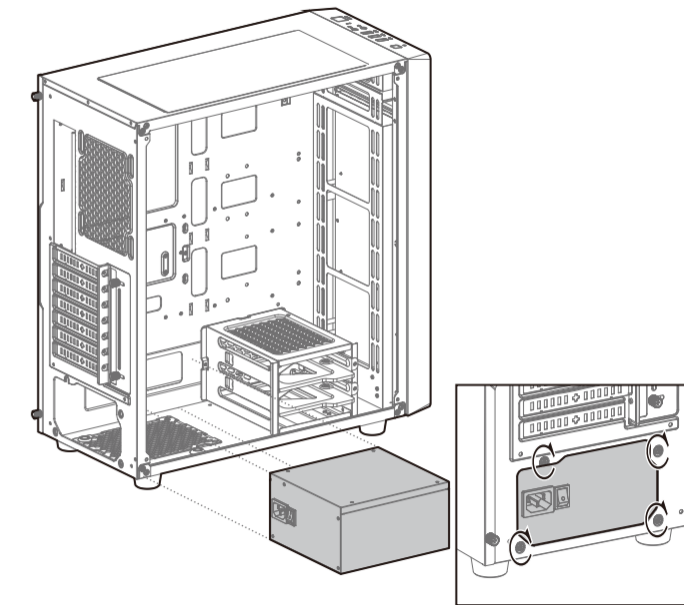
Installing HDDs



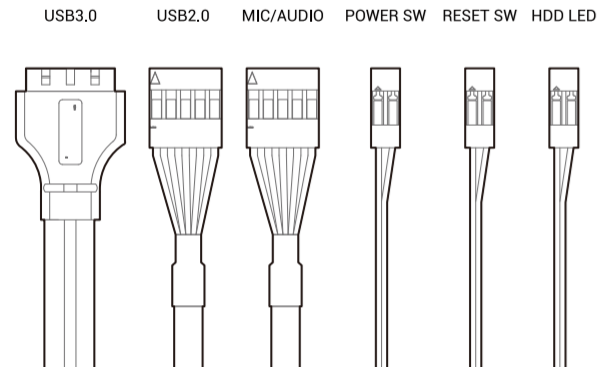
Installing SSDs



Installing the Power Supply

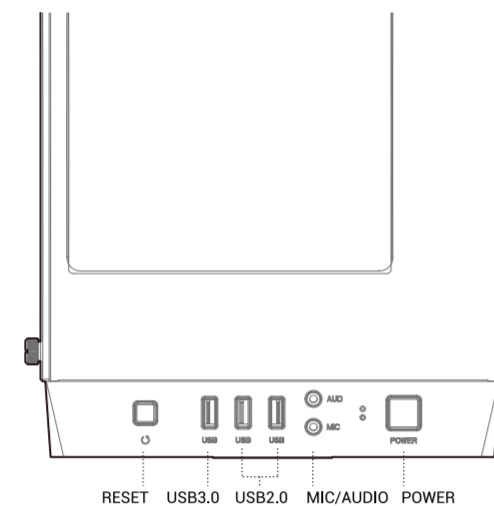


Installing the Front I/O Connectors



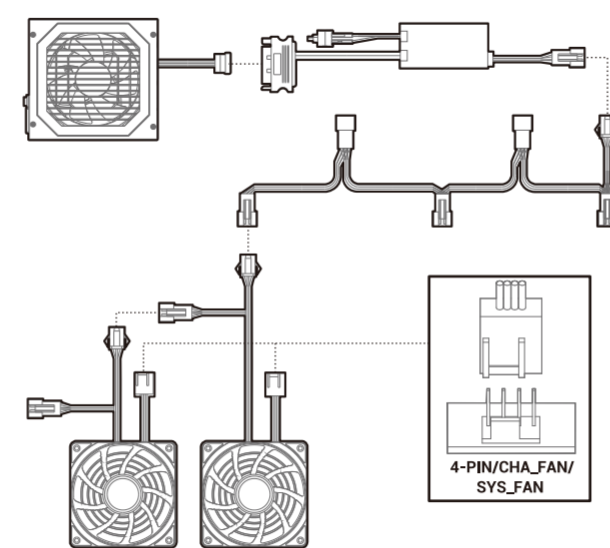
For reference only, please refer to the real product.

I/O Panel Introduction



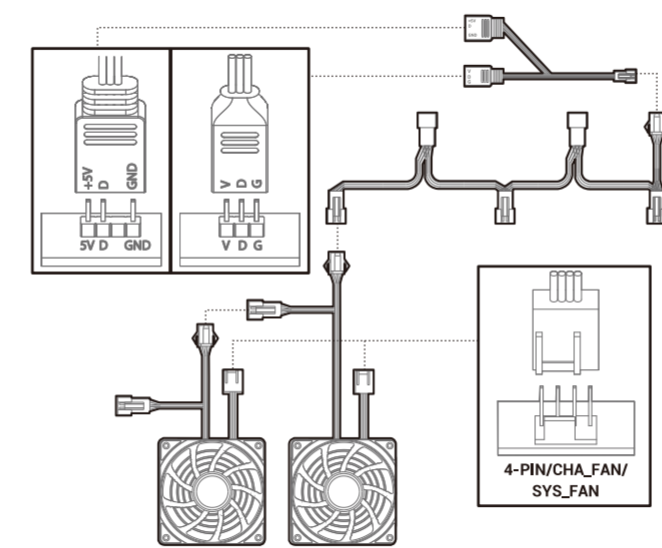
For reference only, please refer to the real product.

Manual RGB Wiring



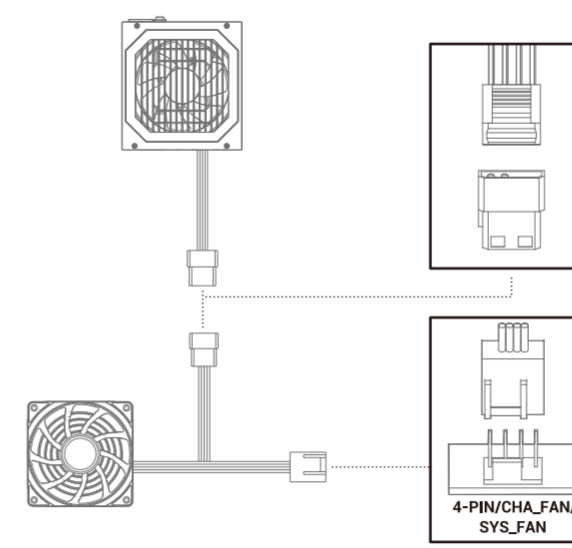
For reference only, please refer to the real product.

Motherboard RGB Synchronization



For reference only, please refer to the real product.

Fan Power Line Wiring



For reference only, please refer to the real product.



EN For more information, please check our website at: www.deepcool.com
 DE Für weitere Informationen besuchen Sie bitte unsere Website unter: www.deepcool.com
 FR Pour plus d'informations, merci de visiter notre site internet: www.deepcool.com
 ES Para más información, por favor, visite nuestra página en: www.deepcool.com
 PT Para mais informação, visita o nosso website em: www.deepcool.com
 IT Per ulteriori informazioni, visitate il nostro sito web: www.deepcool.com
 PL Więcej informacji można znaleźć na naszej stronie internetowej: www.deepcool.com
 TH Daha Fazla bilgi için, lütfen websitemizi ziyaret edin: www.deepcool.com
 SV För mer information, gå till vår hemsida på: www.deepcool.com
 CS Další informace najdete na našich webových stránkách: www.deepcool.com
 RU Больше информации на сайте: www.deepcool.com
 UK Щоб отримати додаткову інформацію, перегляньте наш веб-сайт: www.deepcool.com
 KK Көбірек ақпарат алу үшін біздің вебсайтымызға кіріңіз: www.deepcool.com
 JA 詳細については、以下URL先の公式WEBサイトをご確認ください: www.deepcool.com
 KO 자세한 내용은 www.deepcool.com 에서 확인하실 수 있습니다.
 TH สารสนเทศเพิ่มเติม กรุณาเยี่ยมชมเว็บไซต์: www.deepcool.com
 AR للحصول على مزيد من المعلومات، يرجى زيارة موقعنا على: www.deepcool.com
 VI Để biết thêm chi tiết, vui lòng kiểm tra tại website: www.deepcool.com
 ZH 如需更多信息，請瀏覽網站: www.deepcool.com
 ZH 如需更多信息，請瀏覽網站: www.deepcool.com